

FSN020.72

Lavoce

2" FULLRANGE

NEODYMIUM MAGNET
STEEL BASKET DRIVER



- 0.75 INCH CCAW VOICE COIL
- 85 dB/SPL SENSITIVITY
- 30 WATT PROGRAM POWER HANDLING
- FEM OPTIMIZED MOTOR AND SUSPENSIONS
- COPPER RING FOR EXTENDED FREQUENCY RESPONSE
- RESONANCE FREE AND HEAVY DUTY STEEL BASKET DESIGN
- RUBBER SURROUND MATERIAL

GENERAL SPECIFICATIONS

Nominal diameter	mm (in.)	50 (2)
Nominal impedance	Ω	8
Minimum impedance	Ω	6,6
Program power (1)	W	30
AES Power rating (2)	W	15
Sensitivity (3)	dB	85
Frequency range	Hz	200 ÷ 20000
Voice coil diameter	mm (in.)	20 (0.75)
Chassis material	Steel	
Magnet material	Neodymium	
Magnet dimensions OD x h	mm (in.)	19x5 + 19x3 (0.75x0.2 + 0.75x0.1)
Coil material	CCA W	
Former material	Polyimide	
Cone material	Water Proof Treated Paper	
Surround material	Rubber	
Xmax (4)	mm (in.)	2,4 (0.09)
Xmech (5)	mm (in.)	2,7 (0.1)
Gap height	mm (in.)	3 (0.12)
Voice coil winding height	mm (in.)	6,3 (0.25)
Driver displacement volume	l (ft ³)	0,03 (0.001)

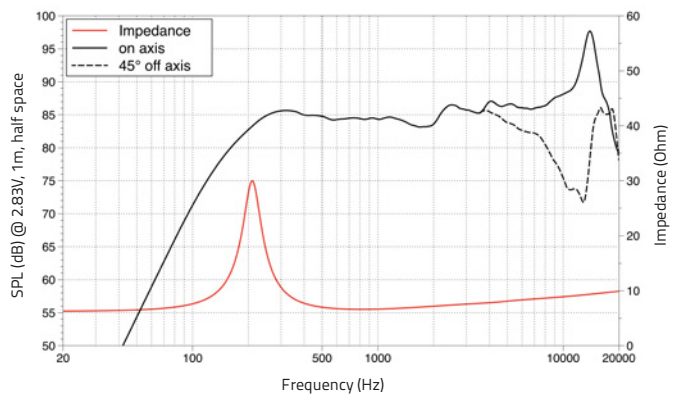
SMALL SIGNAL PARAMETERS

DC resistance	Re	Ohm	6,2
Resonance frequency	Fs	Hz	210
Moving mass	Mms	g (oz)	1,4 (0.05)
Compliance	Cms	mm/N	0,4
Force factor	BxL	N/A	3,2
Mechanical Q-factor	Qms		4,4
Electrical Q-factor	Qes		1,16
Total Q-factor	Qts		0,92
Equivalent air volume	Vas	l (ft ³)	0,17 (0.01)
Voice coil Inductance	Le	mH	0,06
Diaphragm area	Sd	cm ² (in. ²)	17,4 (2.7)
Reference efficiency	Eta 0	%	0,13

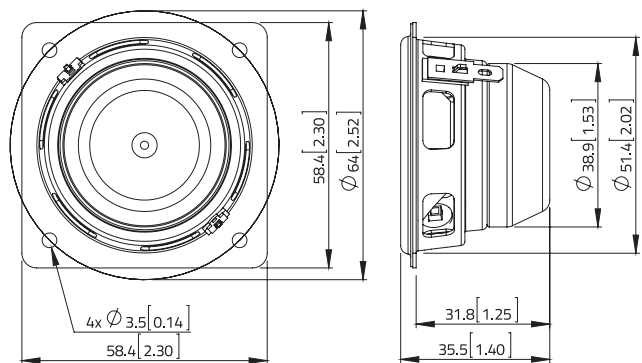
SHIPPING INFORMATION

Net weight	kg (lb.)	0,15 (0.34)
Multipack size (60)	mm (in.)	440 x 397 x 182 (17.3 x 15.6 x 7.2)
Multipack weight	kg (lb.)	12,8 (28.2)

FREQUENCY RESPONSE



DIMENSIONS mm (in.)



(1) Program power is defined as 3 dB greater than AES Power. (2) Tested for two hours using a continuous, band-limited pink noise signal as per AES 2-1984 Rev. 2003. Loudspeaker tested in free air. (3) From T/S parameters, measured with Klippel DA LPM module. (4) The Xmax is calculated as: $(Hvc - Hg)/2 + Hg/4$. Hvc is the voice coil height and Hg the gap height. (5) The Xmech is calculated as: $(Hvc - Hg)/2 + (Hg - 2)$. Hvc is the voice coil height and Hg the gap height. (6) Thiele-Small parameters are measured after preconditioning: a) at 20°C - 22°C, 50% humidity for 2 hours; b) by Klippel LSI measurement.

All specifications subject to change without notice_B.a

