

TN100.70

Lavoce

1" SOFT DOME TWEETER

NEODYMIUM MAGNET



- 0.75 INCH CCAW VOICE COIL
- 90 dB/SPL SENSITIVITY
- 15 WATT PROGRAM POWER HANDLING
- FEM OPTIMIZED MOTOR AND SUSPENSIONS
- TEXTILE DIAPHRAGM

GENERAL SPECIFICATIONS

Nominal diameter	mm (in.)	25 (1)
Nominal impedance	Ω	8
Minimum impedance	Ω	6,3
Program power (1)	W	15
AES power above 2.5 kHz (12dB/oct) (2)	W	7,5
Sensitivity (3)	dB	90
Frequency range	Hz	1500 ÷ 30000
Voice coil diameter	mm (in.)	20 (0.75)
Magnet material		Neodymium
Coil material		CCA W
Former material		Polyimide
Diaphragm and Surround material		Textile
Ferrofluid		YES

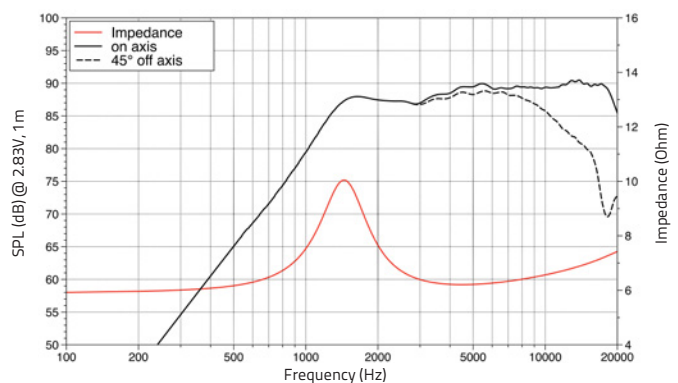
SMALL SIGNAL PARAMETERS

DC resistance	Re	Ohm	5,9
Resonance frequency	Fs	Hz	1500
Moving mass	Mms	g (oz)	0,16 (0.01)
Compliance	Cms	mm/N	0,070
Force factor	BxL	N/A	1,75
Mechanical Q-factor	Qms		2
Electrical Q-factor	Qes		2,9
Total Q-factor	Qts		1,2
Voice coil inductance	Le	mH	0,030
Diaphragm area	Sd	cm ² (in. ²)	8 (1.24)

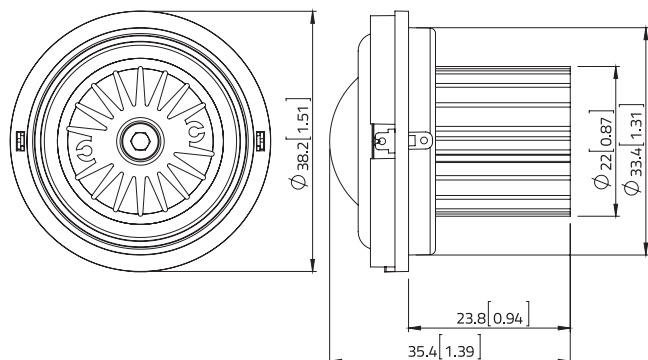
SHIPPING INFORMATION

Net weight	kg (lb.)	0,05 (0.1)
Multipack size (100)	mm (in.)	307 x 307 x 200 (12.1 x 12.1 x 7.9)
Multipack weight	kg (lb.)	7,1 (15.6)

FREQUENCY RESPONSE



DIMENSIONS mm (in.)



(1) Program power is defined as 3 dB greater than AES Power. (2) Tested with heat sink for two hours using a continuous, band-limited pink noise signal as per AES 2-1984 Rev. 2003. (3) Measured on axis at 2.83V, 1m, halfspace, average SPL in the frequency range

All specifications subject to change without notice_B.a

