

FAN030.71

Lavoce

3" FULLRANGE

NEODYMIUM MAGNET
ALUMINIUM BASKET DRIVER



- 0.75 INCH CCAW VOICE COIL
- 89,5 dB/SPL SENSITIVITY
- 60 WATT PROGRAM POWER HANDLING
- FEM OPTIMIZED MOTOR AND SUSPENSIONS
- COPPER RING FOR EXTENDED FREQUENCY RESPONSE
- RESONANCE FREE AND HEAVY DUTY ALUMINIUM BASKET DESIGN
- RUBBER SURROUND MATERIAL

GENERAL SPECIFICATIONS

| | | |
|----------------------------------|---------------------------|--------------------------------------|
| Nominal diameter | mm (in.) | 70 (3) |
| Nominal impedance | Ω | 8 |
| Minimum impedance | Ω | 7 |
| Program power (1) | W | 60 |
| AES Power rating (2) | W | 30 |
| Sensitivity (3) | dB | 89,5 |
| Frequency range | Hz | 120 ÷ 21000 |
| Voice coil diameter | mm (in.) | 20 (0.75) |
| Chassis material | Aluminium | |
| Magnet material | Neodymium | |
| Magnet dimensions OD x ID x h | mm (in.) | 45 x 25 x 3,5 (1.8 x 0.98 x 0.14) |
| Coil material | CCA W | |
| Former material | Glass fiber | |
| Cone material | Water Proof Treated Paper | |
| Surround material | Rubber | |
| Xmax (4) | mm (in.) | 2,1 (0.08) |
| Xmech (5) | mm (in.) | 3,1 (0.12) |
| Gap height | mm (in.) | 4 (0.16) |
| Voice coil winding height | mm (in.) | 6,2 (0.24) |
| Driver displacement volume | l (ft ³) | 0,07 (0.002) |

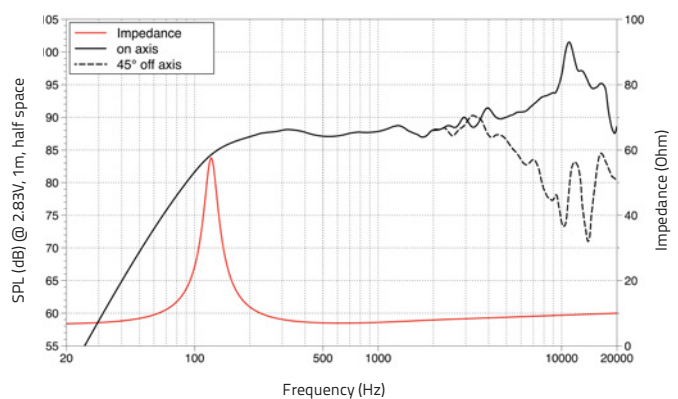
SMALL SIGNAL PARAMETERS

| | | | |
|-----------------------|-------|-------------------------------------|-------------|
| DC resistance | Re | Ohm | 6,3 |
| Resonance frequency | Fs | Hz | 120 |
| Moving mass | Mms | g (oz) | 1,8 (0.06) |
| Compliance | Cms | mm/N | 0,9 |
| Force factor | BxL | N/A | 3,7 |
| Mechanical Q-factor | Qms | | 4,7 |
| Electrical Q-factor | Qes | | 0,63 |
| Total Q-factor | Qts | | 0,56 |
| Equivalent air volume | Vas | l (ft ³) | 1,5 (0.05) |
| Voice coil Inductance | Le | mH | 0,05 |
| Diaphragm area | Sd | cm ² (in. ²) | 33,2 (5.15) |
| Reference efficiency | Eta 0 | % | 0,4 |

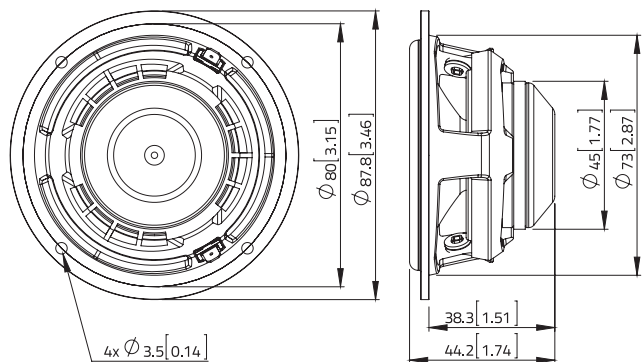
SHIPPING INFORMATION

| | | |
|---------------------|-------------|--------------------------------------|
| Net weight | kg (lb.) | 0,21 (0,46) |
| Multipack size (45) | mm (in.) | 542 x 355 x 205 (21.3 x 14 x 8.1) |
| Multipack weight | kg (lb.) | 13,6 (30) |

FREQUENCY RESPONSE



DIMENSIONS mm (in.)



(1) Program power is defined as 3 dB greater than AES Power. (2) Tested for two hours using a continuous, band-limited pink noise signal as per AES 2-1984 Rev. 2003. Loudspeaker tested in free air. (3) From T/S parameters, measured with Klippel DA LPM module. (4) The Xmax is calculated as: $(Hvc - Hg)/2 + Hg/4$. Hvc is the voice coil height and Hg the gap height. (5) The Xmech is calculated as: $(Hvc - Hg)/2 + (Hg - 2)$. Hvc is the voice coil height and Hg the gap height. (6) Thiele-Small parameters are measured after preconditioning: a) at 20°C - 22°C, 50% humidity for 2 hours; b) by Klippel LSI measurement.

All specifications subject to change without notice_B.a

