

TN131.00

Lavoce

1.3" SOFT DOME TWEETER

NEODYMIUM MAGNET



- 1 INCH CCAW VOICE COIL
- 92 dB/SPL SENSITIVITY
- 30 WATT PROGRAM POWER HANDLING
- FEM OPTIMIZED MOTOR AND SUSPENSIONS
- TEXTILE DIAPHRAGM

GENERAL SPECIFICATIONS

Nominal diameter	mm (in.)	32 (1.3)
Nominal impedance	Ω	8
Minimum impedance	Ω	6,3
Program power (1)	W	30
AES power above 2.5 kHz (12dB/oct) (2)	W	15
Sensitivity (3)	dB	92
Frequency range	Hz	1250 ÷ 30000
Voice coil diameter	mm (in.)	25 (1)
Magnet material		Neodymium
Coil material		CCA W
Former material		Polyimide
Diaphragm and Surround material		Textile
Ferrofluid		YES

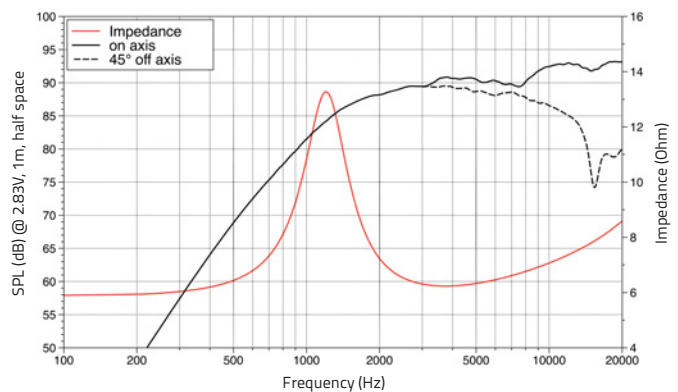
SMALL SIGNAL PARAMETERS

DC resistance	Re	Ohm	5,8
Resonance frequency	Fs	Hz	1250
Moving mass	Mms	g (oz)	0,34 (0.01)
Compliance	Cms	mm/N	0,05
Force factor	BxL	N/A	2,90
Mechanical Q-factor	Qms		2,3
Electrical Q-factor	Qes		1,84
Total Q-factor	Qts		1,00
Voice coil inductance	Le	mH	0,04
Diaphragm area	Sd	cm ² (in. ²)	9,3 (1.44)

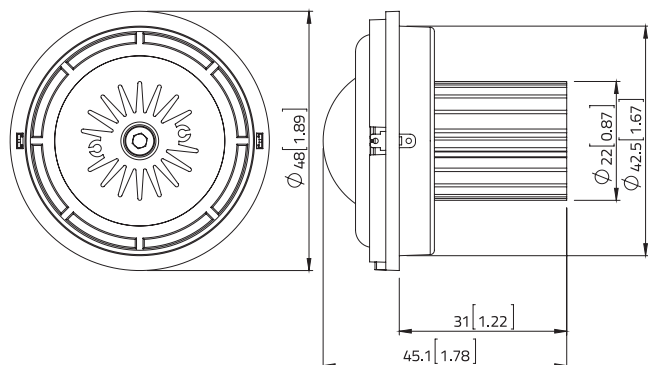
SHIPPING INFORMATION

Net weight	kg (lb.)	0,11 (0.24)
Multipack size (100)	mm (in.)	382 x 382 x 253 (15 x 15 x 9.9)
Multipack weight	kg (lb.)	17,7 (39)

FREQUENCY RESPONSE



DIMENSIONS mm (in.)



(1) Program power is defined as 3 dB greater than AES Power. (2) Tested with heat sink for two hours using a continuous, band-limited pink noise signal as per AES 2-1984 Rev. 2003. (3) Measured on axis at 2.83V, 1m, halfspace, average SPL in the frequency range

All specifications subject to change without notice_B.a

