

Zenith



ZL080115

Constant Current Discharge Rating Amperes @ 25°C (77°F)

Cut off voltage V/cell	30M	45M	1H	2H	3H	5H	8H	10H	12H	20H	24H
1.75V	182	134	110.8	59.6	45.3	31.7	21.8	18	15.33	10	8.37

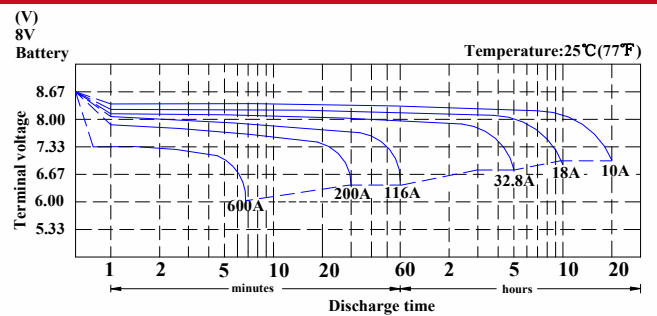
Characteristics

Capacity 25°C (77°F)	20 hour rate (10A to 7.0Volts) 10 hour rate (18A to 7.0Volts) 5 hour rate (32.8A to 6.8Volts)	200AH 180AH 164AH
Internal Resistance	Full charged Battery 25°C (77°F)	2mΩ
Capacity affected by Temperature (20 hour rate)	40°C (104°F) 25°C (77°F) 0°C (32°F) -15°C (5°F)	102% 100% 85% 65%
Self-Discharge 25°C (77°F)	Capacity after 3 month storage Capacity after 6 month storage Capacity after 12 month storage	91% 82% 64%
Standard Terminal	M8	
Max. Discharge Current 25°C (77°F)	2000A (5s)	
Cranking Performance	Cranking Amps (30-sec amps to 7.2V @ 0°C (32°F)) Cold Cranking Amps (30-sec amps to 7.2V @ -18°C (0°F))	
Reserve Capacity (Minutes to 10.5V at 27°C (80°F))	@ 25Amps @ 75Amps	390Min 140Min
Charging (Constant Voltage)	Cycle Initial Charging Current 40A Or Small 9.67V~9.93V/ 25°C (77°F) Float 9.06V~9.2V/ 25°C (77°F)	

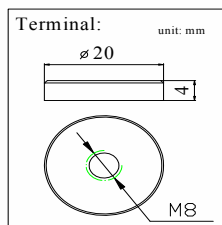
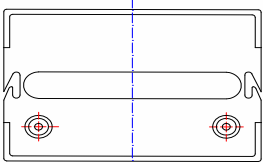
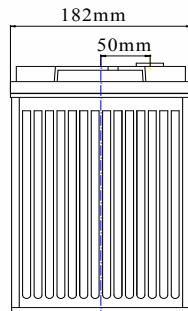
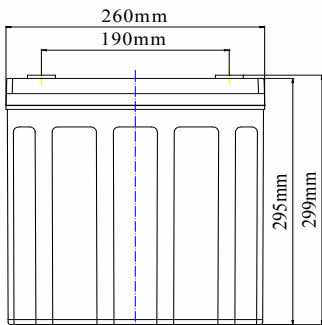
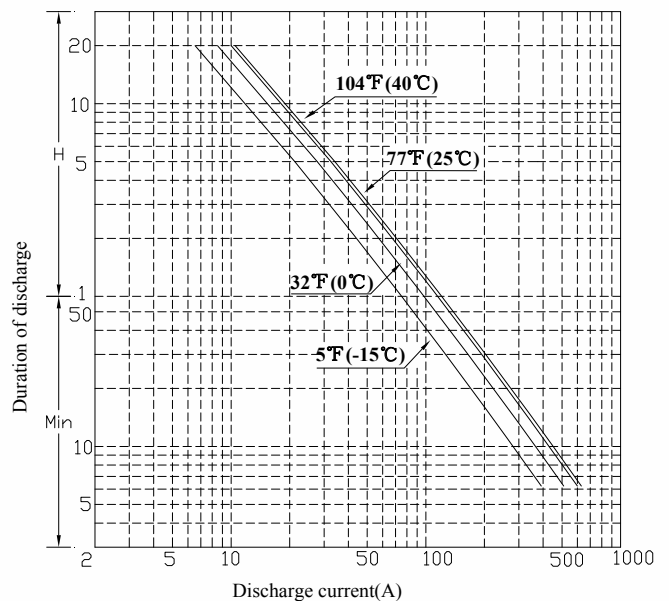
Specifications

Nominal Voltage	8V	
Rated Capacity (20 hour rate)	200Ah	
Dimension	Total Height (with terminals)	299mm (11.77 inches)
	Height	295mm (11.61 inches)
	Length	260mm (10.24 inches)
	Width	182mm (7.16 inches)
Weight	Approx. 40 kg (88.19 lbs)	

Discharge characteristics 25°C (77°F)



Duration of discharge vs. Discharge current



This information is generally descriptive only and is not intended to make or imply any representation, guarantee or warranty with respect to any cells and batteries. Cell and battery designs/specification are subject to modification without notice. Contact U.B.S. UNION BATTERY SERVICE for the latest information.

DIVISION OF



www.zenithdcbattery.com