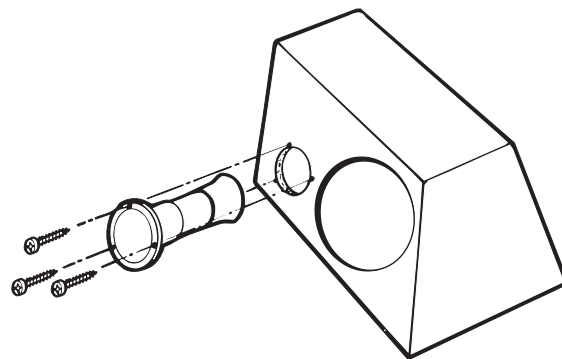
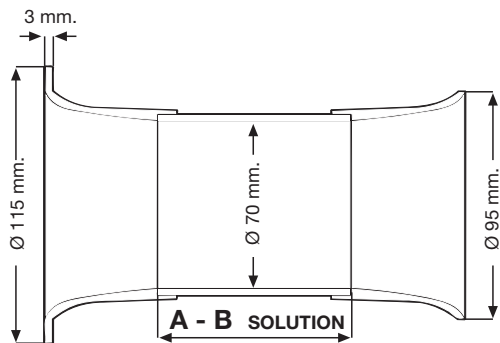
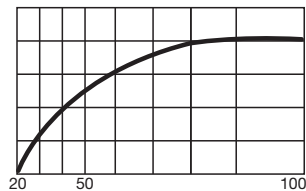
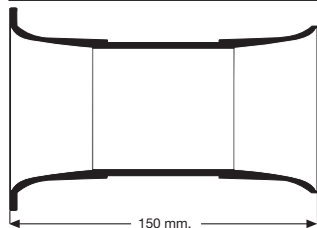


## CONDOTTO REFLEX ANTITURBOLENZA • ANTI-TURBULENCE REFLEX TUBE • TUBE REFLEX ANTI-TURBULENCE ANTI-TURBULENZ REFLEX-ROHR • CONDUCTO REFLEX ANTITURBOLENCA



SPEAKER	$\varnothing$ 165 mm.	$\varnothing$ 200 mm.	$\varnothing$ 250 mm.	$\varnothing$ 300 mm.	$\varnothing$ 380 mm.	$\varnothing$ 460 mm.
VOLUME BOX (dm <sup>3</sup> )	9 ÷ 14	14 ÷ 25	25 ÷ 30	30 ÷ 45	40 ÷ 50	70 ÷ 90
TUBE REFLEX	1 pc.	1 pc.	1 pc.	1 pc.	2 pcs.	3 pcs.

**SOLUTION A**



**SOLUTION B**

