

CODICE/CODE: **ZLS120175**

Batteria sigillata AGM DEEP-CYCLE (uso ciclico) al silicone
Silicon DEEP-CYCLE AGM maintenance free battery



Volt		12V
Capacity/capacità (20h)		85Ah
Capacity/capacità 25°C	10h	77Ah
	5h	70Ah
	2h	60Ah
Internal Resistance	Full Charged Battery 25°C	≤5.5m Ω
Capacity affected by Temperature/Effetti della temperature sulla capacità	40°C	102%
	25°C	100%
	0°C	85%
Self-Discharge 25°C Capacity / Autoscarica a 25°C	after 3 month storage	90%
	after 6 month storage	80%
	after 12 month storage	62%
Charge cycle/ Ciclo di carica	IU + h	"In" max. 17Amp; "V1" 2.43V/cell
	IUIa	"In" max. 17Amp; "V1" 14.4Volt; "If" 1Amp.

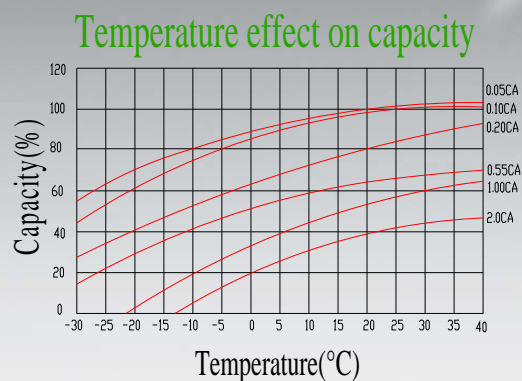
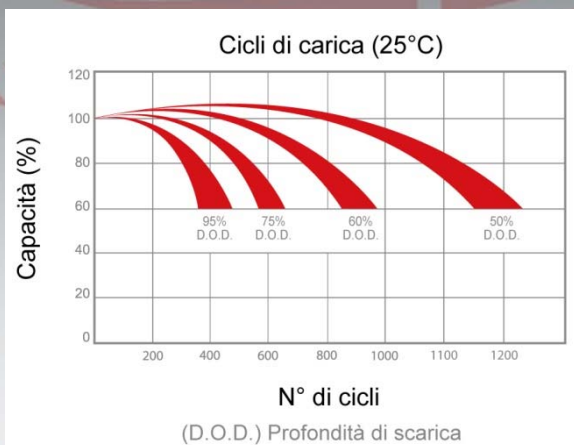
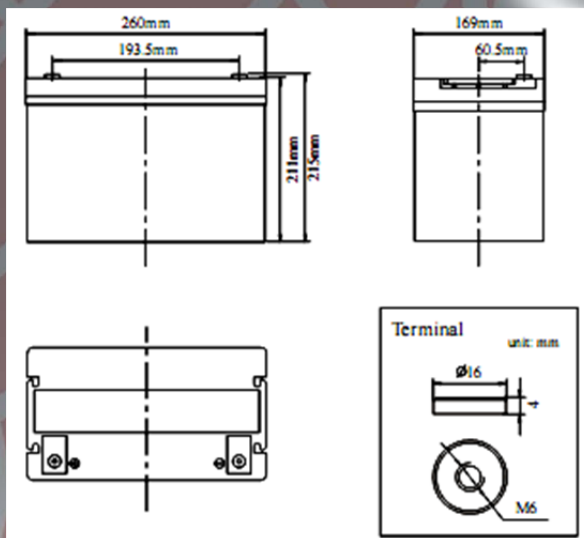
Battery Dimensions/ Dimensioni batteria	L/L	260mm
	W/P	169mm
	H/A	211mm
	Tot- H/A	215mm
Box Dimensions/ Dimensioni scatola	L/L	275mm
	W/P	182mm
	H/A	272mm
Weight/peso		26.5Kg
Terminal/terminal		M6
Case/contenitore		ABS

Amp. (25°C)

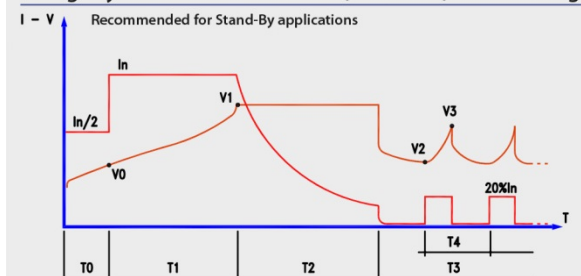
F.V/Time	5min	10min	15min	30min	45min	1h	2h	3h	5h	8h	10h	20h
1.60V	202.0	128.7	109.4	69.8	51.3	47.1	30.0	21.0	14.3	9.4	8.4	4.67
1.65V	198.3	126.4	107.4	68.6	50.4	46.3	29.4	20.7	14.0	9.3	8.3	4.59
1.70V	194.6	124.1	105.4	67.3	49.5	45.4	28.9	20.3	13.8	9.1	8.1	4.5
1.75V	190.9	121.7	103.4	66.0	48.5	44.6	28.3	19.9	13.5	8.9	8.0	4.42
1.80V	183.6	117.0	99.5	63.5	46.7	42.8	27.2	19.1	13.0	8.6	7.7	4.25

Watts (25°C)

F.V/Time	5min	10min	15min	30min	45min	1h	2h	3h	5h	8h	10h	20h
1.60V	388.8	247.8	210.6	134.5	98.8	90.7	57.7	40.5	27.5	18.1	16.2	9.0
1.65V	381.7	243.3	206.8	132.0	97.0	89.1	56.6	39.8	27.0	17.8	15.9	8.8
1.70V	374.6	238.8	202.9	129.6	95.2	87.4	55.6	39.0	26.5	17.5	15.6	8.7
1.75V	367.6	234.3	199.1	127.1	93.4	85.8	54.5	38.3	26.0	17.2	15.3	8.5
1.80V	353.4	225.3	191.4	122.2	89.8	82.5	52.4	36.8	25.0	16.5	14.7	8.2



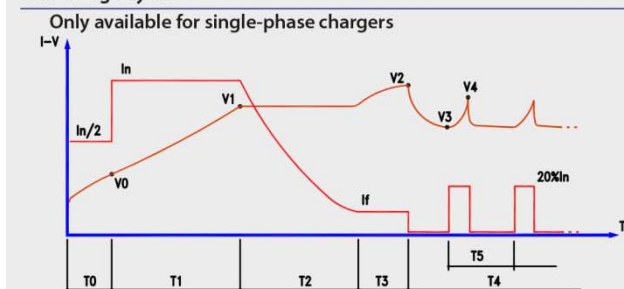
Charge cycle for sealed batteries (GEL/AGM): IU + holding



- I_n = PROGRAMMED CAPACITY/10
- V_0 = 1,90 V/CELL
- V_1 = PROGRAMMED VALUE
- V_2 = 2.10 V/CELL
- V_3 = 2.30 V/CELL
- T_0 = MAX. 1 HR
- T_1 = MAX. 12 HRS
- T_2 = T_1 (MIN. 2-MAX. 5 HRS)
- T_3 = UNLIMITED

“IUla” charge cycle is always recommended in case of more than 2 batteries in series
 Ciclo di carica “IUla” è sempre necessario qualora ci siano più di 2 batterie collegate in serie

IUla charge cycle



- I_n = PROGRAMMED VALUE (CHARGE I)
- I_f = PROGRAMMED VALUE (FINAL I)
- V_0 = 1,90 V/CELL
- V_1 = PROGRAMMED VALUE (THRESHOLD V)
- V_2 = PROGRAMMED VALUE (LOCK V)
- V_3 = 2.10 V/CELL
- V_4 = 2.30 V/CELL
- T_0 = MAX. 1 HR
- T_1 = MAX. 12 HRS
- T_2 = MAX. T_1+6 HRS OR $I = I_f$
- T_3 = MAX. 4 HRS
- T_4 = UNLIMITED
- T_5 = MAX. 6 HRS