

## CODICE/CODE: **ZLS1201105**

Batteria sigillata AGM DEEP-CYCLE (uso ciclico) al silicone  
Silicon DEEP-CYCLE AGM maintenance free battery



Volt		12V
Capacity/capacità (20h)		135Ah
Capacity/capacità 25°C	10h	122Ah
	5h	110Ah
	2h	95Ah
Internal Resistance	Full Charged Battery 25°C	≤4.5m Ω
Capacity affected by Temperature/Effetti della temperature sulla capacità	40°C	102%
	25°C	100%
	0°C	85%
Self-Discharge 25°C Capacity / Autoscarica a 25°C	after 3 month storage	90%
	after 6 month storage	80%
	after 12 month storage	62%
Charge cycle/ Ciclo di carica	IU + h	"In" max. 27Amp; "V1" 2.43V/cell
	IUIa	"In" max. 27Amp; "V1" 14.4Volt; "If" 1,5Amp.

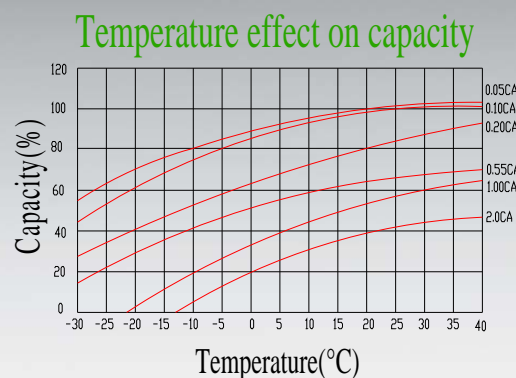
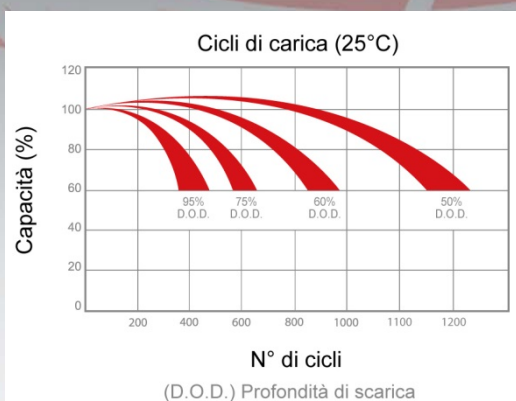
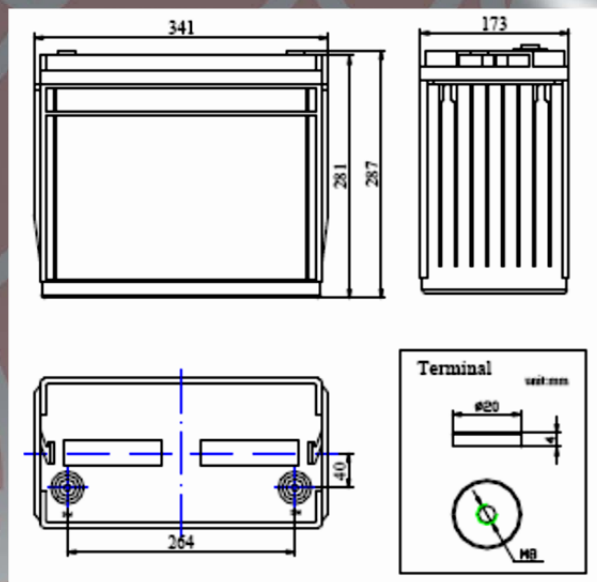
Battery Dimensions/ Dimensioni batteria	L/L	341mm
	W/P	173mm
	H/A	281mm
	Tot- H/A	283mm
Box Dimensions/ Dimensioni scatola	L/L	353mm
	W/P	186mm
	H/A	345mm
Weight/peso		42Kg
Terminal/terminal		M8
Case/contenitore		ABS

### Amp. (25°C)

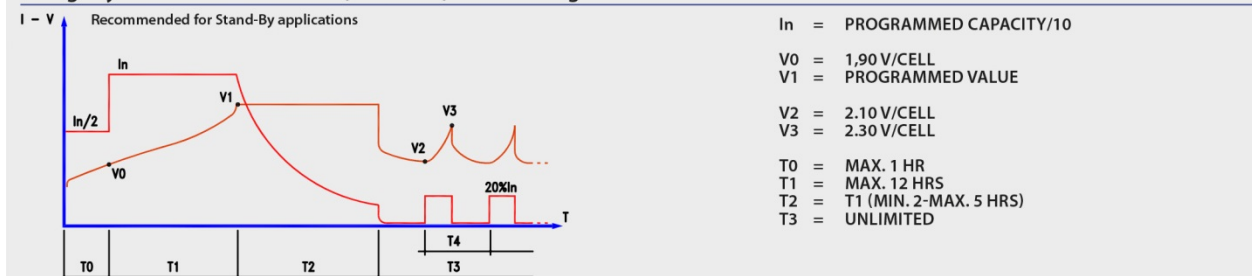
F.V/Time	5min	10min	15min	30min	45min	1h	2h	3h	5h	8h	10h	20h
1.60V	320.8	204.5	173.7	110.9	81.5	74.8	47.6	33.4	22.7	15.0	13.4	7.42
1.65V	314.9	200.8	170.6	108.9	80.0	73.5	46.7	32.8	22.3	14.7	13.1	7.29
1.70V	309.1	197.0	167.4	106.9	78.6	72.1	45.8	32.2	21.9	14.4	12.9	7.15
<b>1.75V</b>	<b>303.3</b>	<b>193.3</b>	<b>164.3</b>	<b>104.9</b>	<b>77.1</b>	<b>70.8</b>	<b>45.0</b>	<b>31.6</b>	<b>21.5</b>	<b>14.2</b>	<b>12.6</b>	<b>7.02</b>
1.80V	291.6	185.9	158.0	100.8	74.1	68.0	43.3	30.4	20.7	13.6	12.2	6.75

### Watts (25°C)

F.V/Time	5min	10min	15min	30min	45min	1h	2h	3h	5h	8h	10h	20h
1.60V	617.5	393.6	334.5	213.5	156.9	144.1	91.6	64.3	43.7	28.8	25.7	14.3
1.65V	606.2	386.5	328.4	209.7	154.1	141.5	89.9	63.1	42.9	28.3	25.3	14.0
1.70V	595.0	379.3	322.3	205.8	151.2	138.8	88.3	62.0	42.1	27.8	24.8	13.8
<b>1.75V</b>	<b>583.8</b>	<b>372.2</b>	<b>316.2</b>	<b>201.9</b>	<b>148.4</b>	<b>136.2</b>	<b>86.6</b>	<b>60.8</b>	<b>41.4</b>	<b>27.2</b>	<b>24.3</b>	<b>13.5</b>
1.80V	561.3	357.8	304.1	194.1	142.7	131.0	83.3	58.5	39.8	26.2	23.4	13.0



### Charge cycle for sealed batteries (GEL/AGM): IU + holding



“IUla” charge cycle is always recommended in case of more than 2 batteries in series  
 Ciclo di carica “IUla” è sempre necessario qualora ci siano più di 2 batterie collegate in serie

### IUla charge cycle

