

## CODICE/CODE: **ZLS1201120**

Batteria sigillata AGM DEEP-CYCLE (uso ciclico) al silicone  
Silicon DEEP-CYCLE AGM maintenance free battery



|  |                           |  |
|--|---------------------------|--|
| Volt   |                           | 12V  |
| Capacity/capacità (20h)  |                           | 200Ah                                      |
| Capacity/capacità<br>25°C  | 10h                       | 180Ah                                      |
|  | 5h                        | 160Ah                                      |
|  | 2h                        | 141Ah                                      |
| Internal Resistance  | Full Charged Battery 25°C | ≤3.0m Ω                                    |
| Capacity affected by<br>Temperature/Effetti<br>della temperature<br>sulla capacità | 40°C                      | 102%                                       |
|  | 25°C                      | 100%                                       |
|  | 0°C                       | 85%  |
| Self-Discharge<br>25°C Capacity /<br>Autoscarica a 25°C                            | after 3 month storage     | 90%  |
|  | after 6 month storage     | 80%  |
|  | after 12 month storage    | 62%  |
| Charge<br>cycle/<br>Ciclo di<br>carica   | IU + h                    | "In" max. 40Amp; "V1" 2.43V/cell           |
|  | IUIa                      | "In" max. 40Amp; "V1" 14.4Volt; "If" 2Amp. |

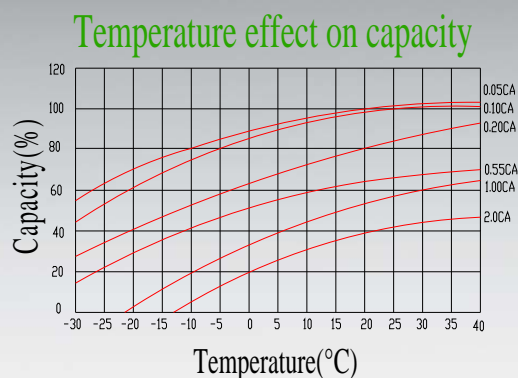
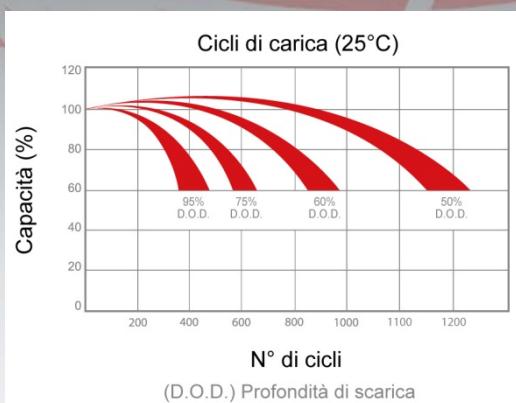
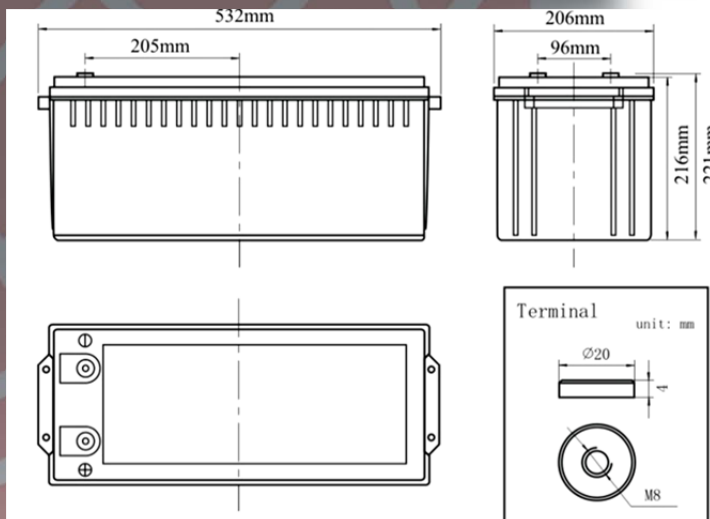
|  |          |       |
|--|----------|-------|
| Battery<br>Dimensions/<br>Dimensioni<br>batteria | L/L      | 532mm |
|  | W/P      | 206mm |
|  | H/A      | 216mm |
|  | Tot- H/A | 221mm |
| Box<br>Dimensions/<br>Dimensioni<br>scatola      | L/L      | 537mm |
|  | W/P      | 221mm |
|  | H/A      | 296mm |
| Weight/peso                                      |          | 59Kg  |
| Terminal/terminal                                |          | M8    |
| Case/contenitore                                 |          | ABS   |

### Amp. (25°C)

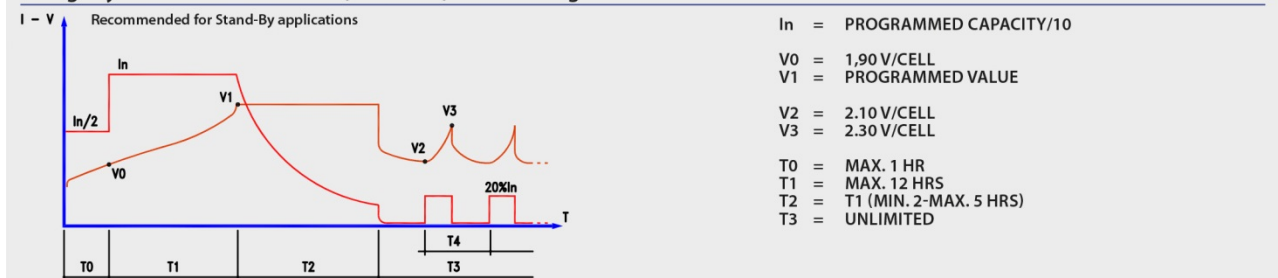
| F.V/Time     | 5min         | 10min        | 15min        | 30min        | 45min        | 1h           | 2h          | 3h          | 5h          | 8h          | 10h         | 20h         |
|--------------|--------------|--------------|--------------|--------------|--------------|--------------|-------------|-------------|-------------|-------------|-------------|-------------|
| 1.60V        | 475.2        | 302.9        | 257.4        | 164.3        | 120.8        | 110.9        | 70.5        | 49.5        | 33.7        | 22.2        | 19.8        | 11,0        |
| 1.65V        | 466.6        | 297.4        | 252.7        | 161.4        | 118.6        | 108.9        | 69.2        | 48.6        | 33.0        | 21.8        | 19.4        | 10.8        |
| 1.70V        | 457.9        | 291.9        | 248.0        | 158.4        | 116.4        | 106.8        | 67.9        | 47.7        | 32.4        | 21.4        | 19.1        | 10.6        |
| <b>1.75V</b> | <b>449.3</b> | <b>286.4</b> | <b>243.4</b> | <b>155.4</b> | <b>114.2</b> | <b>104.8</b> | <b>66.6</b> | <b>46.8</b> | <b>31.8</b> | <b>21.0</b> | <b>18.7</b> | <b>10.4</b> |
| 1.80V        | 432.0        | 275.4        | 234.0        | 149.4        | 109.8        | 100.8        | 64.1        | 45.0        | 30.6        | 20.2        | 18.0        | 10.0        |

### Watts (25°C)

| F.V/Time     | 5min         | 10min        | 15min        | 30min        | 45min        | 1h           | 2h           | 3h          | 5h          | 8h          | 10h         | 20h         |
|--------------|--------------|--------------|--------------|--------------|--------------|--------------|--------------|-------------|-------------|-------------|-------------|-------------|
| 1.60V        | 914.8        | 583.2        | 495.5        | 316.4        | 232.5        | 213.4        | 135.7        | 95.3        | 64.8        | 42.7        | 38.1        | 21.2        |
| 1.65V        | 898.1        | 572.6        | 486.5        | 310.6        | 228.3        | 209.6        | 133.2        | 93.6        | 63.6        | 41.9        | 37.4        | 20.8        |
| 1.70V        | 881.5        | 562.0        | 477.5        | 304.9        | 224.0        | 205.7        | 130.8        | 91.8        | 62.4        | 41.1        | 36.7        | 20.4        |
| <b>1.75V</b> | <b>864.9</b> | <b>551.4</b> | <b>468.5</b> | <b>299.1</b> | <b>219.8</b> | <b>201.8</b> | <b>128.3</b> | <b>90.1</b> | <b>61.3</b> | <b>40.4</b> | <b>36.0</b> | <b>20.0</b> |
| 1.80V        | 831.6        | 530.1        | 450.5        | 287.6        | 211.4        | 194.0        | 123.4        | 86.6        | 58.9        | 38.8        | 34.7        | 19.2        |



### Charge cycle for sealed batteries (GEL/AGM): IU + holding



“IUla” charge cycle is always recommended in case of more than 2 batteries in series  
Ciclo di carica “IUla” è sempre necessario qualora ci siano più di 2 batterie collegate in serie

### IUla charge cycle

