

## CODICE/CODE: **ZLS1201145**

Batteria sigillata AGM DEEP-CYCLE (uso ciclico) al silicone  
Silicon DEEP-CYCLE AGM maintenance free battery



Volt		12V
Capacity/capacità (20h)		260Ah
Capacity/capacità 25°C	10h	234Ah
	5h	213Ah
	2h	183Ah
Internal Resistance	Full Charged Battery 25°C	≤1.6m Ω
Capacity affected by Temperature/Effetti della temperature sulla capacità	40°C	102%
	25°C	100%
	0°C	85%
Self-Discharge 25°C Capacity / Autoscarica a 25°C	after 3 month storage	90%
	after 6 month storage	80%
	after 12 month storage	62%
Charge cycle/ Ciclo di carica	IU + h	"In" max. 52Amp; "V1" 2.43V/cell
	IUIa	"In" max. 52Amp; "V1" 14.4Volt; "If" 2.5Amp.

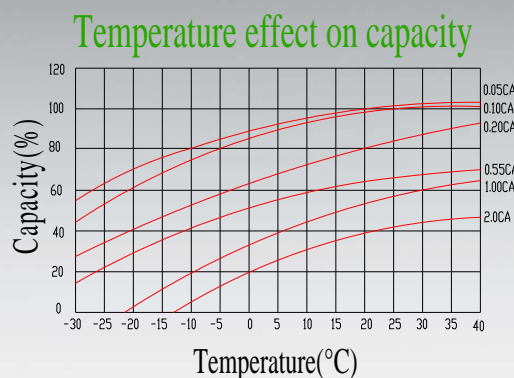
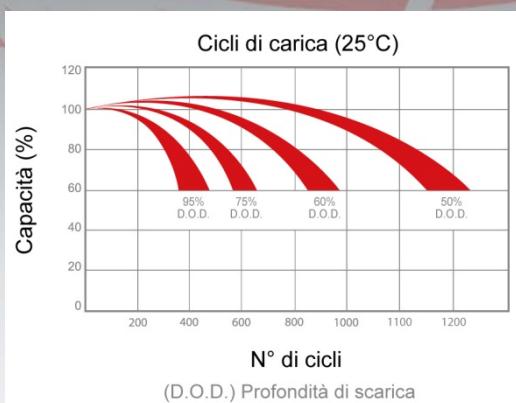
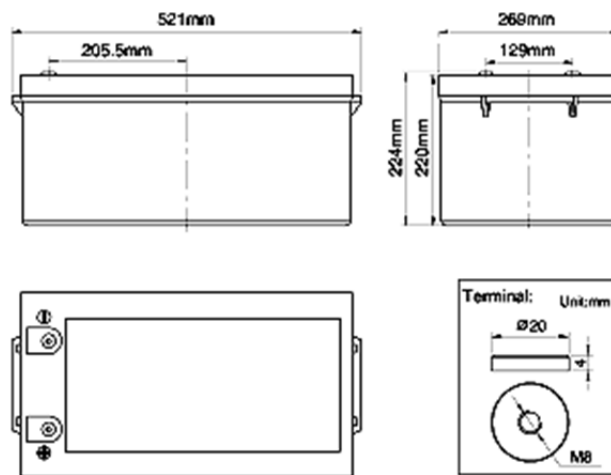
Battery Dimensions/ Dimensioni batteria	L/L	521mm
	W/P	269mm
	H/A	220mm
	Tot- H/A	224mm
Box Dimensions/ Dimensioni scatola	L/L	537mm
	W/P	284mm
	H/A	299mm
Weight/peso		77Kg
Terminal/terminal		M8
Case/contenitore		ABS

### Amp. (25°C)

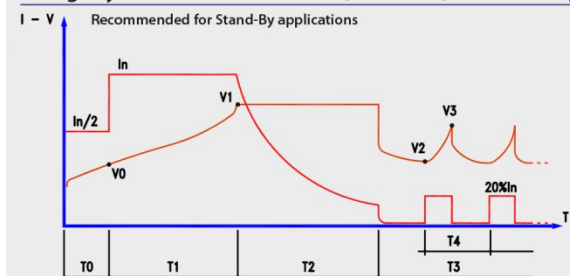
F.V/Time	5min	10min	15min	30min	45min	1h	2h	3h	5h	8h	10h	20h
1.60V	617.8	393.8	334.6	213.6	157.0	144.1	91.6	64.4	43.8	28.8	25.7	14.3
1.65V	606.5	386.7	328.5	209.8	154.2	141.5	90.0	63.2	43.0	28.3	25.3	14
1.70V	595.3	379.5	322.5	205.9	151.3	138.9	88.3	62.0	42.2	27.8	24.8	13.8
<b>1.75V</b>	<b>584.1</b>	<b>372.3</b>	<b>316.4</b>	<b>202.0</b>	<b>148.4</b>	<b>136.3</b>	<b>86.6</b>	<b>60.8</b>	<b>41.4</b>	<b>27.3</b>	<b>24.3</b>	<b>13.5</b>
1.80V	561.6	358.0	304.2	194.2	142.7	131.0	83.3	58.5	39.8	26.2	23.4	13.00

### Watts (25°C)

F.V/Time	5min	10min	15min	30min	45min	1h	2h	3h	5h	8h	10h	20h
1.60V	1189.2	758.1	644.1	411.3	302.3	277.5	176.4	123.9	84.2	55.5	49.5	27.5
1.65V	1167.6	744.3	632.4	403.8	296.8	272.4	173.2	121.6	82.7	54.5	48.6	27.0
1.70V	1145.9	730.5	620.7	396.3	291.3	267.4	170.0	119.4	81.2	53.5	47.7	26.5
<b>1.75V</b>	<b>1124.3</b>	<b>716.8</b>	<b>609.0</b>	<b>388.8</b>	<b>285.8</b>	<b>262.3</b>	<b>166.8</b>	<b>117.1</b>	<b>79.6</b>	<b>52.5</b>	<b>46.8</b>	<b>26.0</b>
1.80V	1081.1	689.2	585.6	373.9	274.8	252.3	160.4	112.6	76.6	50.5	45.0	25.0



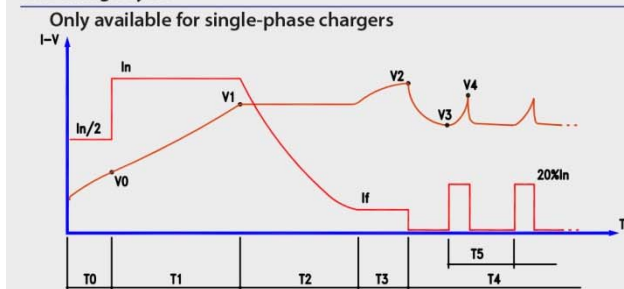
### Charge cycle for sealed batteries (GEL/AGM): IU + holding



- $I_n$  = PROGRAMMED CAPACITY/10
- $V_0$  = 1,90 V/CELL
- $V_1$  = PROGRAMMED VALUE
- $V_2$  = 2.10 V/CELL
- $V_3$  = 2.30 V/CELL
- $T_0$  = MAX. 1 HR
- $T_1$  = MAX. 12 HRS
- $T_2$  =  $T_1$  (MIN. 2-MAX. 5 HRS)
- $T_3$  = UNLIMITED

“IUa” charge cycle is always recommended in case of more than 2 batteries in series  
Ciclo di carica “IUa” è sempre necessario qualora ci siano più di 2 batterie collegate in serie

### IUa charge cycle



- $I_n$  = PROGRAMMED VALUE (CHARGE I)
- $I_f$  = PROGRAMMED VALUE (FINAL I)
- $V_0$  = 1,90 V/CELL
- $V_1$  = PROGRAMMED VALUE (THRESHOLD V)
- $V_2$  = PROGRAMMED VALUE (LOCK V)
- $V_3$  = 2.10 V/CELL
- $V_4$  = 2.30 V/CELL
- $T_0$  = MAX. 1 HR
- $T_1$  = MAX. 12 HRS
- $T_2$  = MAX.  $T_1+6$  HRS OR  $I = I_f$
- $T_3$  = MAX. 4 HRS
- $T_4$  = UNLIMITED
- $T_5$  = MAX. 6 HRS