

# TN101.00

Lavoce

## 1" SOFT DOME TWEETER

NEODYMIUM MAGNET



- 1 INCH CCAW VOICE COIL
- 92 dB/SPL SENSITIVITY
- 30 WATT PROGRAM POWER HANDLING
- FEM OPTIMIZED MOTOR AND SUSPENSIONS
- TEXTILE DIAPHRAGM

### GENERAL SPECIFICATIONS

Nominal diameter	mm (in.)	26 (1)
Nominal impedance	$\Omega$	8
Minimum impedance	$\Omega$	6,2
Program power (1)	W	30
AES power above 2.5 kHz (12dB/oct) (2)	W	15
Sensitivity (3)	dB	92
Frequency range	Hz	1500 ÷ 20000
Voice coil diameter	mm (in.)	25 (1)
Magnet material		Neodymium
Coil material		CCA W
Former material		Polyimide
Diaphragm and Surround material		Textile
Ferrofluid		YES

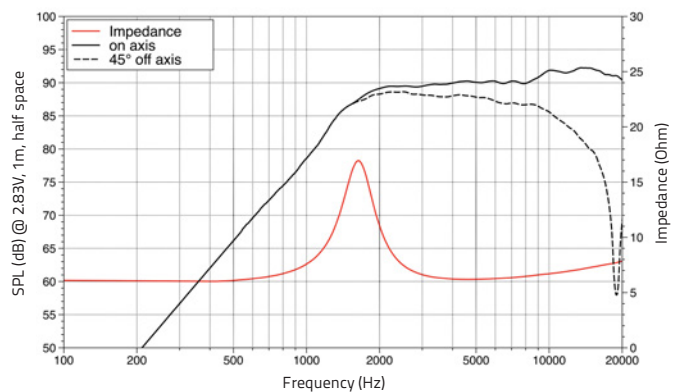
### SMALL SIGNAL PARAMETERS

DC resistance	Re	Ohm	5,75
Resonance frequency	Fs	Hz	1600
Moving mass	Mms	g (oz)	0,23 (0.01)
Compliance	Cms	mm/N	0,046
Force factor	BxL	N/A	2,7
Mechanical Q-factor	Qms		4
Electrical Q-factor	Qes		1,74
Total Q-factor	Qts		1,21
Voice coil inductance	Le	mH	0,038
Diaphragm area	Sd	cm <sup>2</sup> (in. <sup>2</sup> )	9,15 (1.42)

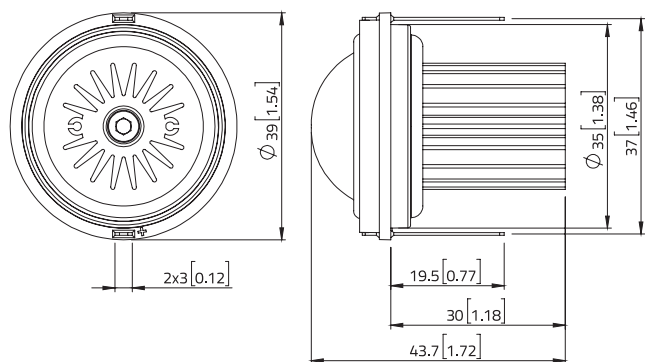
### SHIPPING INFORMATION

Net weight	kg (lb.)	0,05 (0.11)
Multipack size (100)	mm (in.)	307 x 307 x 236 (12.1 x 12.1 x 9.3)
Multipack weight	kg (lb.)	6,9 (15.2)

### FREQUENCY RESPONSE



### DIMENSIONS mm (in.)



(1) Program power is defined as 3 dB greater than AES Power. (2) Tested with heat sink for two hours using a continuous, band-limited pink noise signal as per AES 2-1984 Rev. 2003. (3) Measured on axis at 2.83V, 1m, halfspace, average SPL in the frequency range

All specifications subject to change without notice\_Ca

