

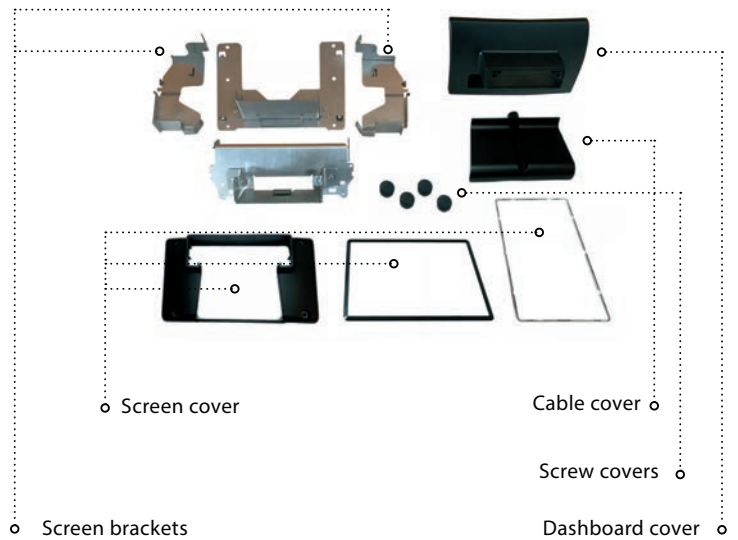
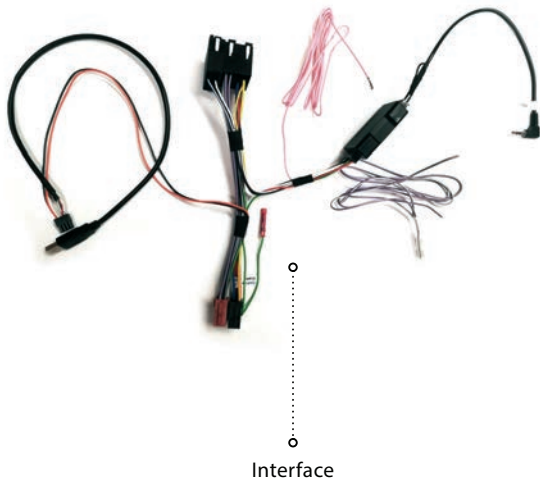
CA-HR-FD-EVO.001 INSTALLATION KIT FOR SPH-EVO82DAB-DUC

Compatibility:

- Fiat Ducato from 2007 onwards
- Peugeot Boxer from 2007 onwards
- Citroen Jumper from 2007 onwards
(open dash platform with ISO only)



EN - Installation Manual



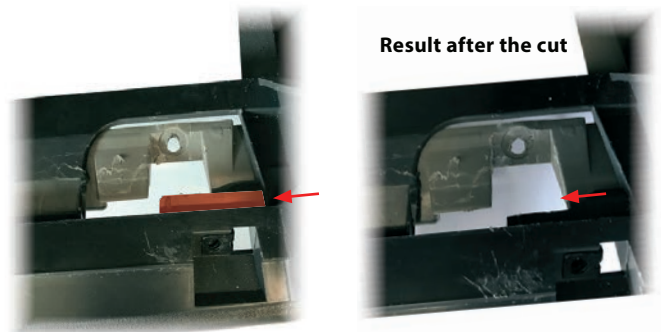
Original dashboard



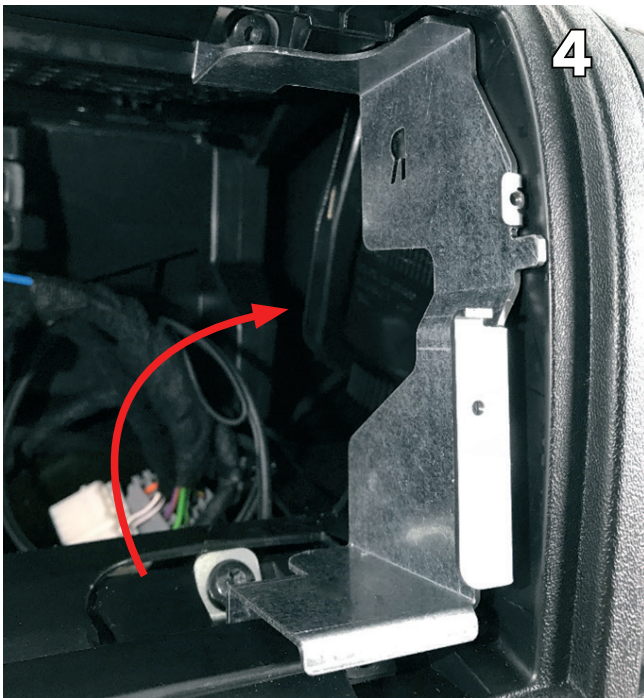
Cut out the center supports / support bar



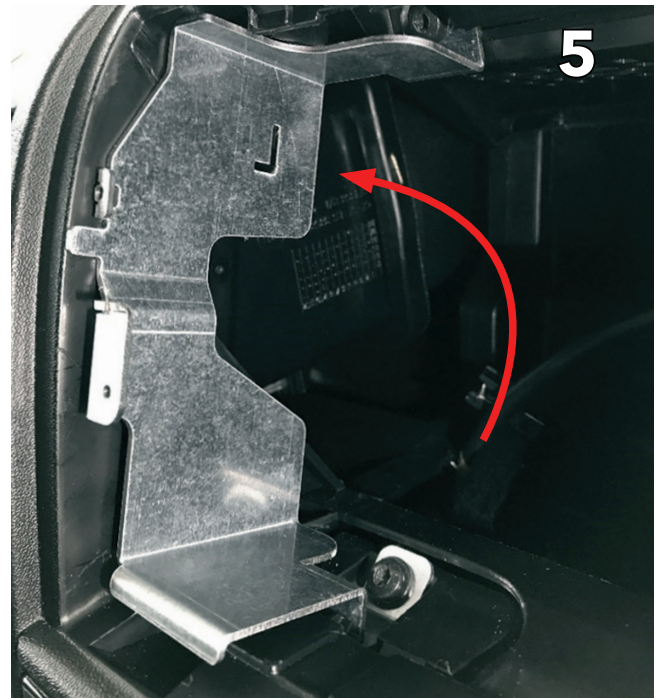
Result after the modification



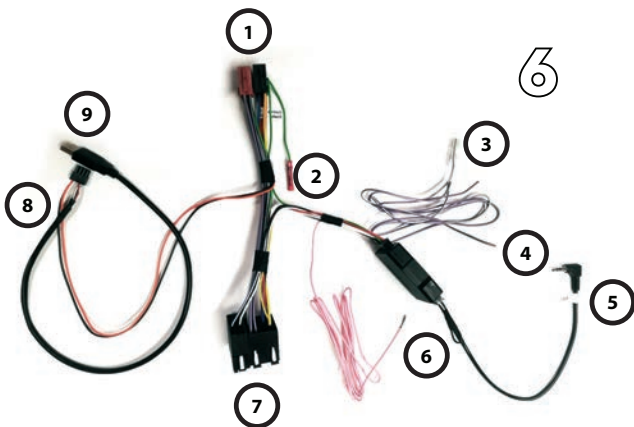
⚠ If the van comes with these ridges, please remove by cutting to make space for the metal brackets.



Install right side bracket using the van's original torx screw



Install left side bracket using the van's original torx screw



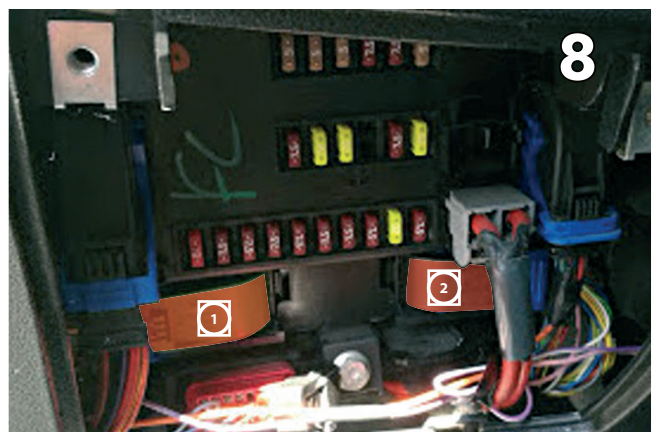
Install the steering wheel interface

- ① To SPH power cable
- ② To parking brake (green) on SPH power cable
- ③ To reverse (purple) on SPH power cable
- ④ Install vehicle fuse box (see image 9 & 10)

- ⑤ Steering wheel control to SPH unit backside
- ⑥ Install vehicle fuse box (see image 11 & 12)
- ⑦ To van's main connector
- ⑧ To fascia's USB socket
- ⑨ To SPH's USB input (backside)



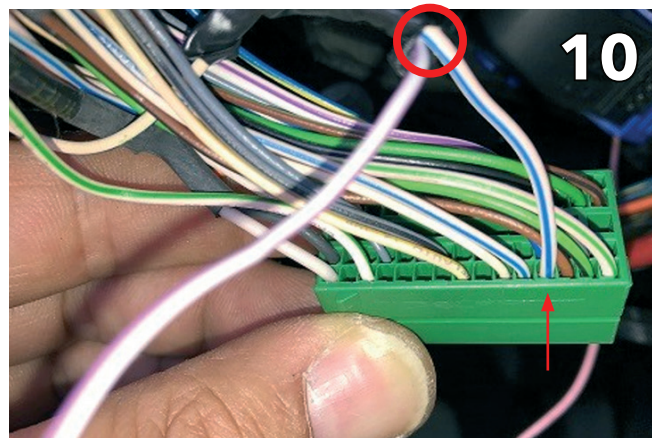
Open the fuse box by taking out 2 screws



Locate the green ① and black ② connector



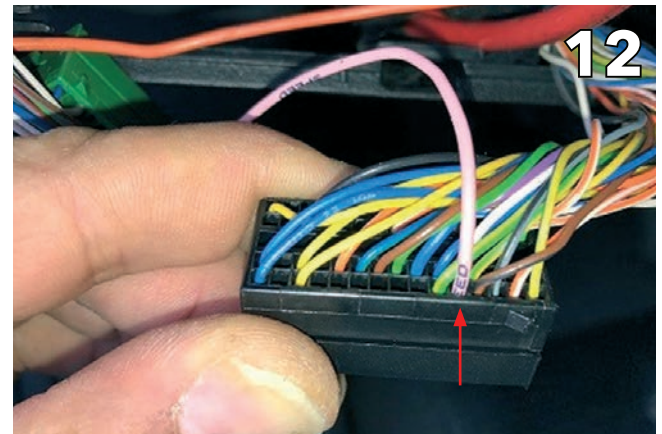
Remove the green connector and slide open



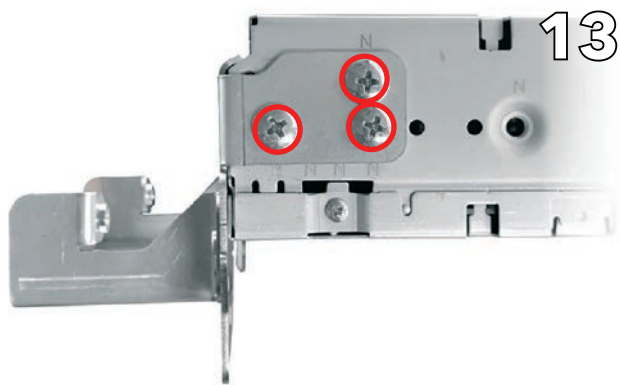
Insert or splice the purple reverse cable from the interface onto PIN number 4



Remove the black connector and slide open



Insert the pink speedpulse cable from the interface in PIN number 56



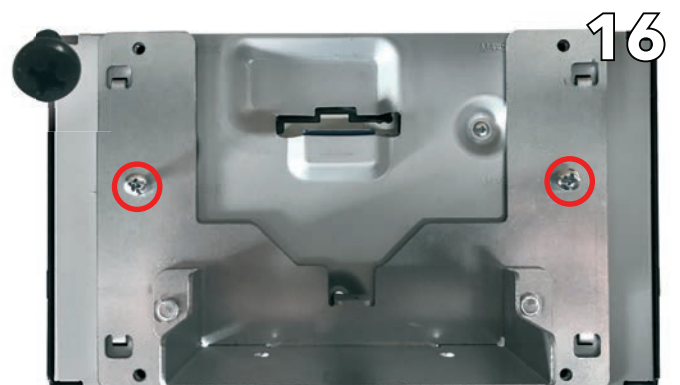
Screw the screen support onto the pioneer unit using 6 flathead screws supplied with the unit



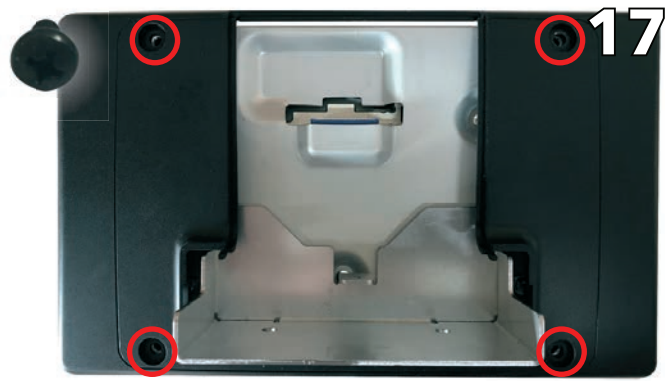
After installing the interface, slide the unit into the dashboard, routing the display cable underneath and tighten 4 small allen screws



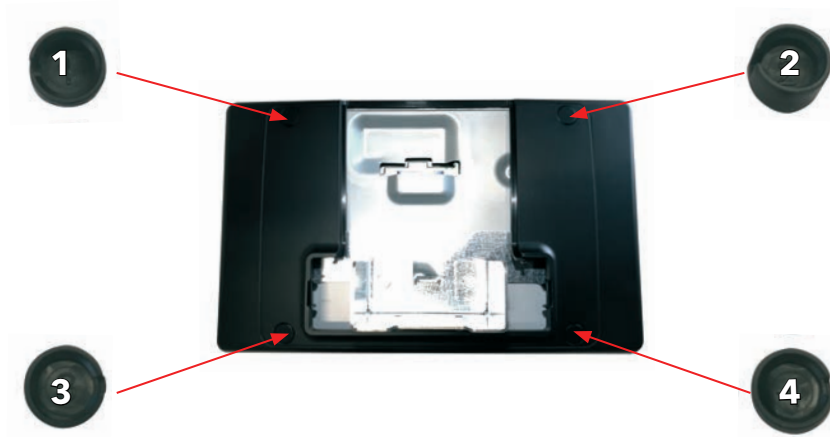
Put the fascia in (make sure to connect the USB on the panel) and tighten with 2 screws



Take the screen and install the metal support using the 2 middle screws



Put the plastic back cover on and secure the other 4 screws



Mount screw covers, paying attention to the marked numbers and locations



Slide the screen into the dashboard and tighten with 2 screw from the top



Make sure the display connector is plugged in and put the cover over it - Secure with one screw



Install the front trims



Final image