

ISUB BMW 4

Technical Sheet

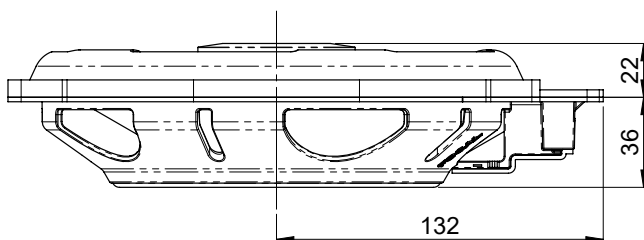
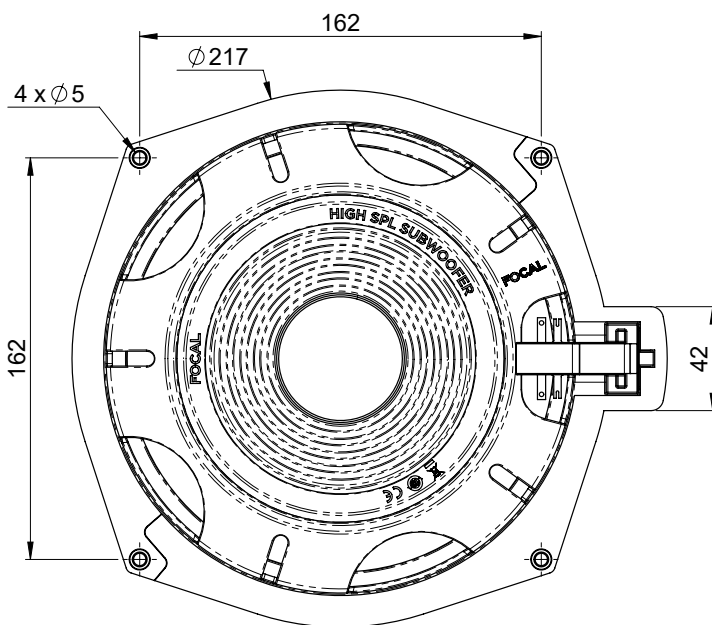
Subwoofer



SPECIFICATIONS

Nominal power	90 W
Maximum power	180 W
Sensitivity	86 dB
Nom. impedance	4 Ω
Cone	Paper
Surround	Butyl
DC resistance	3.7 Ω
VC diameter	50mm 2"
Former	Aluminium
Layers	2
Wire	Copper
Net weight	970 g 2.14lbs
Frequency reponse	35-200 Hz

MECHANICAL DRAWING



PARAMETERS

Rdc	3.7 Ω
Fs	46 Hz
Mms	44 g
Cms	0.31 mm/N
Vas	18 l
Qts	0.9
Qes	1.1
Qms	5
Bxl	5.6 N/A
Sd	213 cm ²
SPL	83 dB
Xmax	6.5 mm

FOCAL® INSIDE

Focal® is a trademark of Focal-JMLab® - www.focal.com - SCAA190919/1

FOCAL®
LISTEN BEYOND