

INSTALLATION MANUAL

PARKVIEW FRONT/REAR

Electronic module to visualize the Aftermarket Parking Sensors on the Volkswagen Group OEM autoradio rev. 1.15

VOLKSWAGEN

DESCRIPTION

PARKVIEW is an electronic module, easy to install, that allows you to integrate professionally aftermarket parking sensors on the Volkswagen Group vehicles equipped with the OEM radio. The device allows to display on the OEM radio of VW group the signalling of the parking sensors as it happens for the OEM parking sensors.

CAR	YEAR	RADIO COMPATIBLE
VOLKSWAGEN		
POLO	From 2010 to 2013	RCD310 - RCD315 - RCD510 - RNS310 - RNS315 - RNS 510
POLO	From 2014	MIB ENTRY - MIB STANDARD
GOLF VI	From 2009	RCD310 - RCD315 - RCD510 - RNS310 - RNS315 - RNS 510
GOLF PLUS	From 2009	RCD310 - RCD315 - RCD510 - RNS310 - RNS315 - RNS 510
GOLF VARIANT	From 2009	RCD310 - RCD315 - RCD510 - RNS310 - RNS315 - RNS 510
SCIROCCO	From 2009	RCD310 - RCD315 - RCD510 - RNS310 - RNS315 - RNS 510
JETTA	From 2010	RCD310 - RCD315 - RCD510 - RNS310 - RNS315 - RNS 510
NUOVA TOURAN	From 2010	RCD310 - RCD315 - RCD510 - RNS310 - RNS315 - RNS 510
NUOVA SHARAN	From 2010	RCD310 - RCD315 - RCD510 - RNS310 - RNS315 - RNS 510
TIGUAN	From 2009	RCD310 - RCD315 - RCD510 - RNS310 - RNS315 - RNS 510
EOS	From 2009	RCD310 - RCD315 - RCD510 - RNS310 - RNS315 - RNS 510
PASSAT	From 2009	RCD310 - RCD315 - RCD510 - RNS310 - RNS315 - RNS 510
PASSAT VARIANT	From 2009	RCD310 - RCD315 - RCD510 - RNS310 - RNS315 - RNS 510
NUOVA PASSAT	From 2010	RCD310 - RCD315 - RCD510 - RNS310 - RNS315 - RNS 510
NUOVA PASSAT VARIANT	From 2010	RCD310 - RCD315 - RCD510 - RNS310 - RNS315 - RNS 510
PASSAT CC	From 2009	RCD310 - RCD315 - RCD510 - RNS310 - RNS315 - RNS 510
NUOVO CADDY	From 2010	RCD310 - RCD315 - RCD510 - RNS310 - RNS315 - RNS 510
MULTIVAN	From 2010	RCD310 - RCD315 - RCD510 - RNS310 - RNS315 - RNS 510
NEW BEETLE	From 2012	RCD310 - RCD315 - RCD510 - RNS310 - RNS315 - RNS 510
AMAROK	From 2013	RCD310 - RCD315 - RCD510 - RNS310 - RNS315 - RNS 510
GOLF VII	From 2013	MIB ENTRY - MIB STANDARD
SEAT		
ALTEA	From 2011	RCD310 - RCD315 - RNS310 - RNS315
LEON	From 2011 to 2012	RCD310 - RCD315 - RNS310 - RNS315
LEON	From 2013	MEDIA SYSTEM COLOR - MEDIA SYSTEM PLUS MEDIA SYSTEM NAVIGATION
ALHAMBRA	From 2011	RCD310 - RCD315 - RNS310 - RNS315
TOLEDO	From 2015	SEAT MEDIA SYSTEM
SKODA		
FABIA	From 2011	SWING - RNS AMUNDSEN
ROOMSTER	From 2011	SWING - RNS AMUNDSEN
OCTAVIA	From 2011 to 2012	SWING - RNS AMUNDSEN
OCTAVIA	From 2013	BOLERO - BOLERO PLUS - NAVI AMUNDSEN
YETI	From 2011	SWING - RNS AMUNDSEN
SUPERB	From 2011	SWING - RNS AMUNDSEN
AUDI		
A1	From 2014	RADIO MMI
A3	From 2014	RADIO MMI

Manufactured by: PASER s.r.l. Strada Per Poirino 29
 Villanova d'Asti (AT), 14019 Italia
 Tel. 0039 (0)141 947694 Fax. 0039 (0)141 946000
 Servizio tecnico: 0039 (0)141 947676 www.paser.it; paser@paser.it

WARRANTY

**THIS PRODUCT IS GUARANTEED FOR 2 YEARS FOR ANY MANUFACTURING DEFECTS.
 THE FISCAL DOCUMENT SERVES AS THE GUARANTEE VALIDITY**

The information in this guide are purely for information purposes, therefore, are subject to change without notice. At the time of publication the information is correct and reliable. However Paser can not be held responsible for any consequences resulting from errors or omissions in this manual. Paser reserves the right to improve / change the product or manual without obligation to

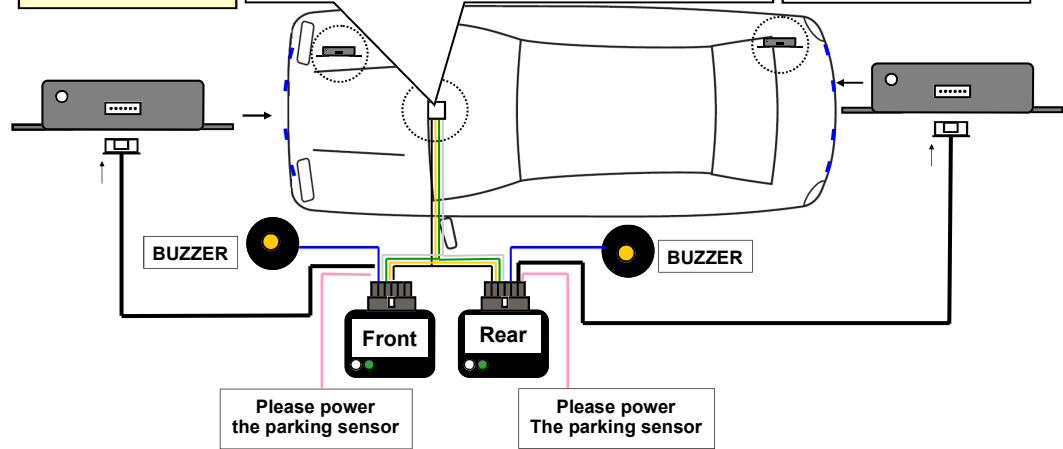
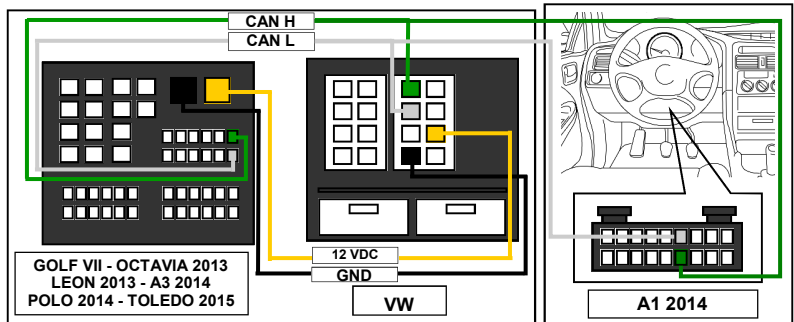
Kit compatible with: **Med E, Med E PLUS, Med S1, Paser Parking Pro Evolution**

The kit is composed by two special PARKVIEW module and the harnesses for the connection. The installation is simple. Once installed the parking sensors kit, connect PARKVIEW modules as described in the following diagram.

BEFORE STARTING INSTALLATION, PLEASE ENABLE THE PARKING SENSOR FUNCTION OF THE CAR, THROUGH THE VW VAS

Attention:
Use the PARKVIEW buzzer! Don't install the Park kit one

Both the PARKVIEWS have to be installed back the OEM radio. Ensure yourself that the REAR is connected to the REAR Park Sensor and the FRONT to the Front one



The harness supplied with PARKVIEW is split in 2 sections: the first is composed by 4 wires to connect back the OEM radio of the vehicle.

In the QUADLOCK plug it must to connect:

- YELLOW to the +12vdc positive wire
- BLACK to the GND negative wire
- GREEN to the CAN H
- WHITE to the CAN L
- PINK to the power of the parking sensor

The diagram above suggests the ho to manage the connections, the QUADLOCK plug is seen from the wire output side.

The second section of the harness is a kind of extension long 5 mts that must to lay down till the boot, where is located the parking sensors device.

Then connect the 6 poles white plug to the DISPLAY connector of the parking sensors as above described.

In the kit there are 2 module one for the rear one for the front, the connection are both for Parkview modules; for the front module the buzzer used is the one in the cable so do not use the one of the kit.

TROUBLESHOOTING

Parking Sensor UNIT

PROBLEM	CAUSE	SOLUTION
The system doesn't work when the back gear is inserted.	Wrong connection of the power wires	Power the parking sensors by the ParkView
	Wrong connection of the plugs	Verify the connection of the connectors of the parking system
The system detects always the obstacle	The system detects the ground	Verify that the sensors caps are installed horizontally respect the ground.
	Caps sensors are varnished incorrectly	Verify that the caps varnish layer is not too thick. In this case the sensors can detect it as an obstacle.
	The test is made in closed space	Please make the test of the system in an open space and not into a close room.
The sound of the buzzer is not available	Wrong connections of the caps sensors	Please control the caps sensors connection

PARKVIEW

PROBLEM	CAUSE	SOLUTION
The unit doesn't manage any function and the LED is OFF.	Wrong connection of the power wires	Verify the power connections
The unit is right connected but it doesn't manage any function and the LED is OFF.	Wrong connection of the CANBUS wires	Verify the CANBUS connections
The unit is right connected and the LED blinks RED quickly.	CANBUS protocol unknown or upgraded by the car manufacturer	The unit is not able to synchronize the CANBUS protocol; please contact the distributor
The unit is right connected and the LED blinks RED irregularly.	Wrong connection of the CANBUS wires	Verify the CANBUS connections
The unit is right connected and the LED switches on RED.	CANBUS protocol unknown or upgraded by the car manufacturer	The unit is not able to synchronize the CANBUS protocol; please contact the distributor

ATTENTION!



XENON LIGHTS COULD DISTURB FRONT PARKING SENSORS. DISTRIBUTE PARKVIEW CABLES FAR FROM XENON LIGHTS OR FANS.

Technical features

POWER	10/16 VDC
SLEEP MODE ABSORPTION	<1 mA
WORKING MODE ABSORPTION	1 A

RCD 310

RCD 510

RNS 310

RNS 510

SWING

ON / OFF SENSORS MANUAL

A long press (3 sec) of OK button of the steering wheel commands turns on / off the sensors when car is driving below 10 km/h speed.



Switching on the parking sensors, ParkView led will generate some red/green flashes, confirming the right working.

WARNING!

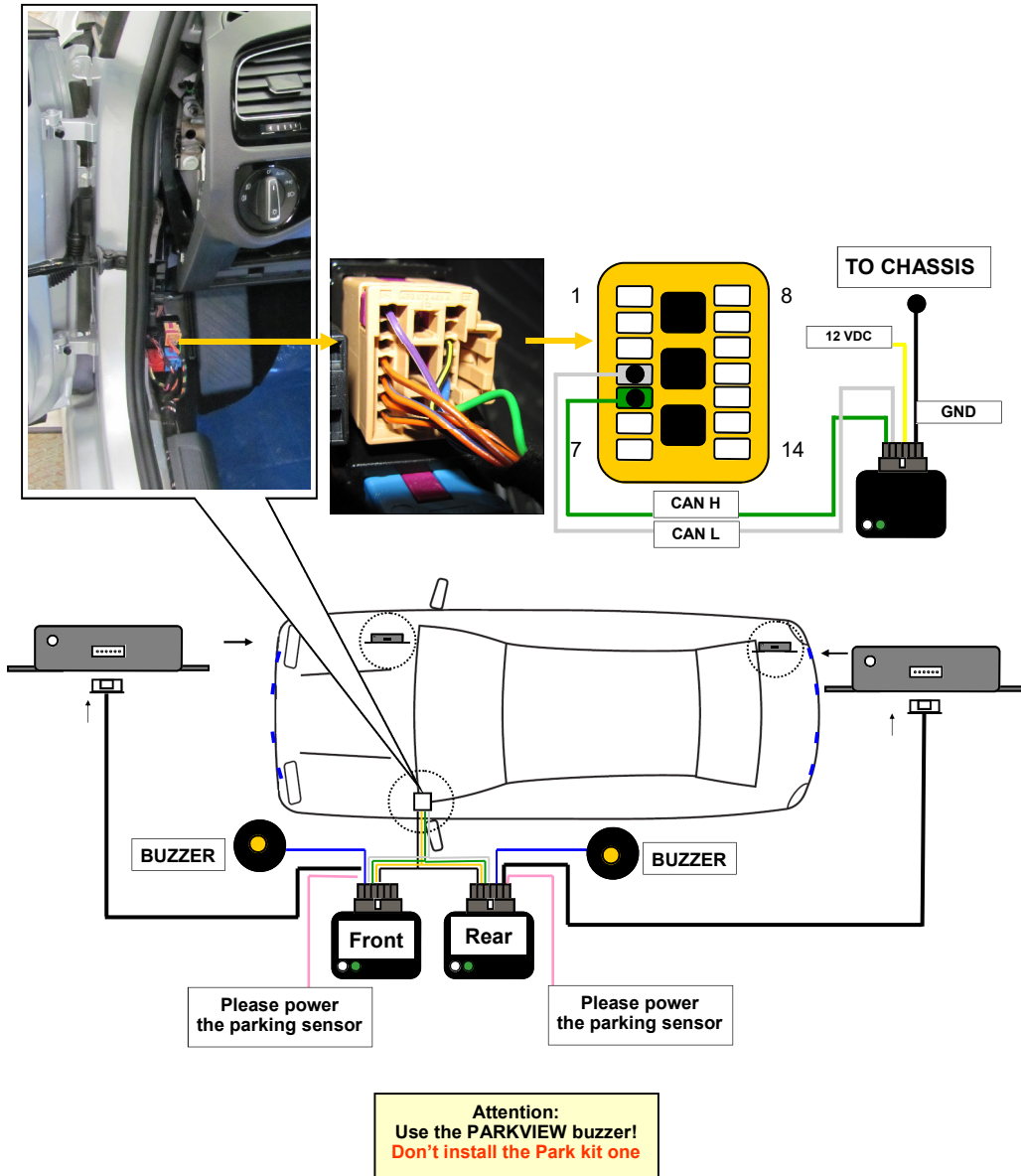
IF YOU NEED TO INSTALL THE SAME UNIT IN A NEW CAR, IT IS NECESSARY TO RESET THE MODULE.

RESET:

1. **WITH THE UNIT POWERED, PRESS AND KEEP PRESSED THE PARKVIEW BUTTON TILL THE LED SWITCHES OFF.**
2. **WITH THE LED SWITCHED OFF RELEASE THE BUTTON: NOW THE RESET IS DONE.**

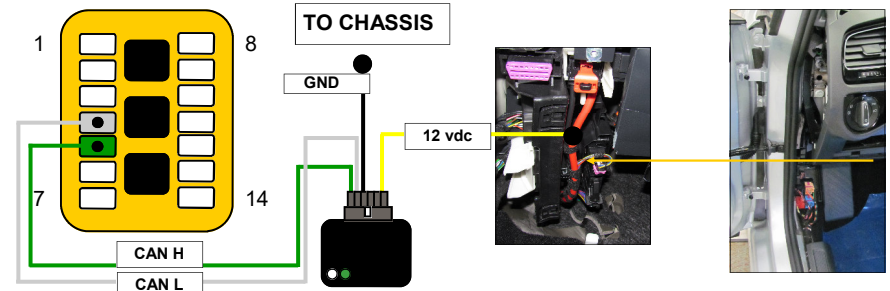


Alternative connection.
 Install the module PARKVIEW on the driver side. The connector where to make the connections is located back the panel shown in the diagram below.
 Once installed the parking sensors kit, connect PARKVIEW as described in the following diagram.



The harness supplied with PARKVIEW is split in 2 sections; the first is composed by 4 wires to connect back plastic panel on DRIVER side of the vehicle.

YELLOW to the +12vdc positive RED big size wire located down the dashboard
 BLACK to the GND negative wire to the chassis of the vehicle directly
 GREEN to the CAN H position 5 of the OEM yellow connector
 WHITE to the CAN L position 4 of the OEM yellow connector
 PINK to the power of the parking sensor



The second section of the harness is a kind of extension long 5 mt that must to lay down till the boot where is located the parking sensors device.
 Then connect the 6 ways white plug to the DISPLAY connector of the parking sensors as above described.

In the kit there are 2 module one for the rear one for the front, the connection are both for Parkview modules; for the front module the buzzer used is the one in the cable so do not use the one of the kit.

**THE SYSTEM STARTS TO WORK BY INSERTING THE BACK GEAR.
 THE SYSTEM SWITCHES OFF BY REMOVING THE BACK GEAR AND
 ONCE OVER PASSED 10 KMH.**