

# IC VW 165

Technical Sheet

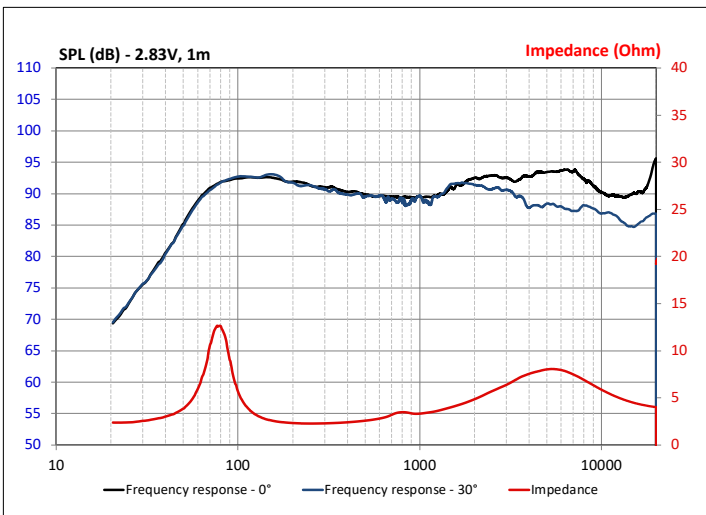
## Coaxial speaker



## SPECIFICATIONS

Nominal power	60W
Maximum power	120W
Sensitivity	93.7dB
Nom. impedance	2 Ω
Cone	Black Polyglass
Surround	Butyl
DC resistance	2.07 Ω
VC diameter	25mm 1"
Former	Kapton
Layers	2
Wire	Copper
Net weight	900g 1.98 lbs

## FREQUENCY RESPONSE/IMPEDANCE

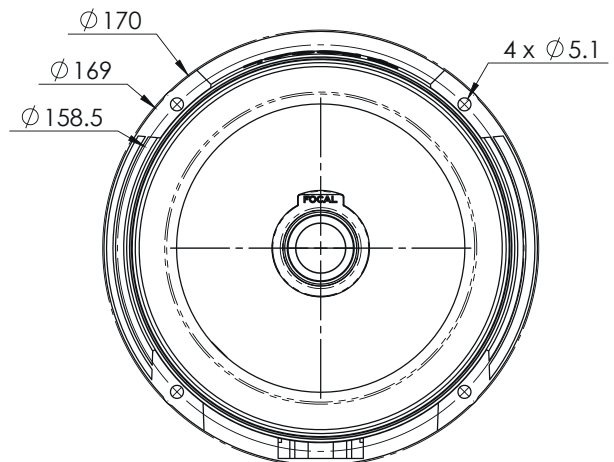
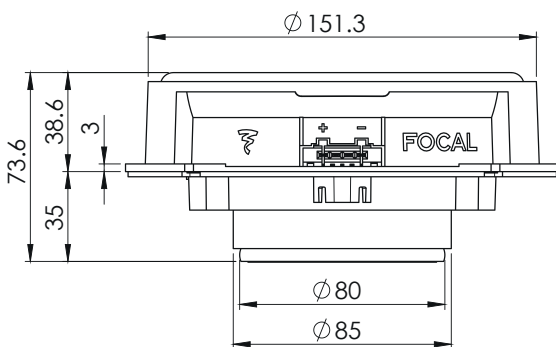


## PARAMETERS

Rdc	2.07 Ω
Fs	77.1Hz
Mms	16.53g
Cms	0.258mm/N
Vas	6.82 l
Qts	0.776
Qes	0.894
Qms	5.841
Bxl	4.32N/A
Sd	136.85cm <sup>2</sup>
SPL	87.7dB
Xmax	7mm

## MECHANICAL DRAWING

Dimensions in mm



**FOCAL** INSIDE

Focal is a trademark of Focal-JMLab - [www.focal.com](http://www.focal.com) - SCCG - 09/11/2020 - v1

**FOCAL**