

# TSM 25 Mg 70

## HIGH RESOLUTION TWEETER

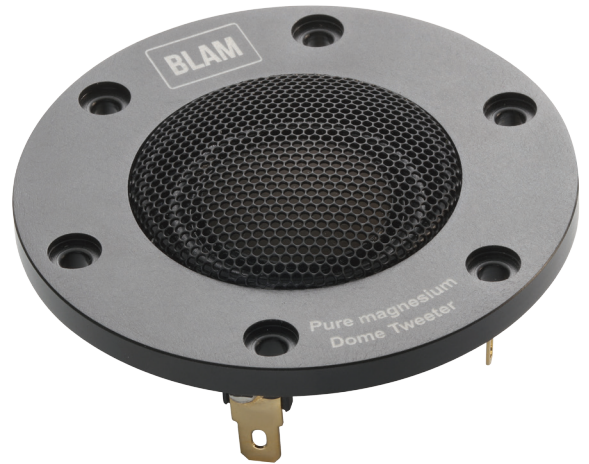
- 25mm (1") Pur Magnesium dome tweeter
- High efficiency neodymium magnet N48H
- High precision Machined Aluminium front plate
- Sound transparent protective grill
- Low resonance rear chamber

### Made in France

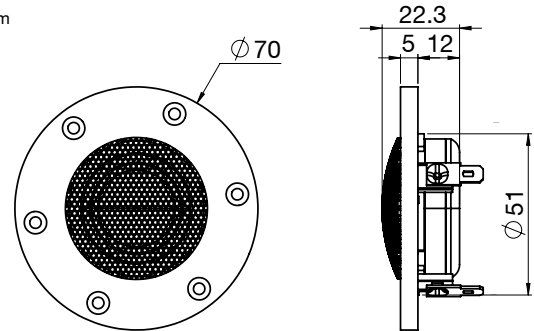
Available in two colors : black and gold  
Extended frequency up to 43KHz

### TECHNICAL SPECIFICATIONS

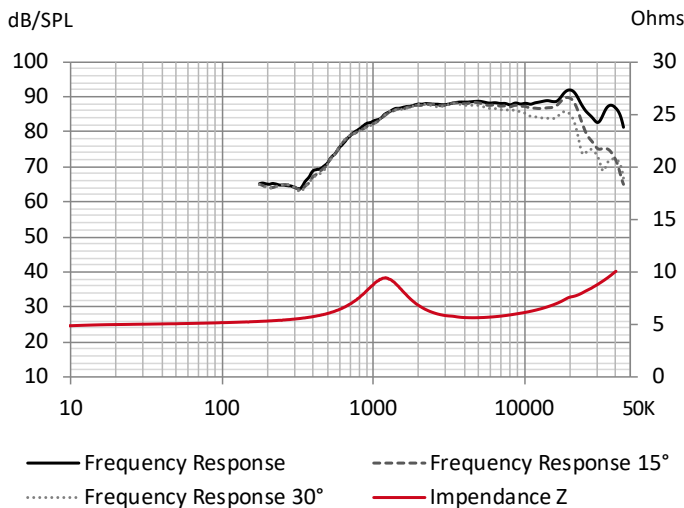
<b>Component</b>	Tweeter	
<b>Max power</b>	100 W	
<b>Nominal power</b>	15 W	
<b>Impedance</b>	5 Ω	
<b>Freq. Response</b>	1.18 KHz - 43 KHz	
<b>Sensitivity (2,83V/1m)</b>	89.8 dB	
<b>Magnet</b>	Neodymium	
<b>Magnet size Ø x h</b>	40 x 6 mm	1.575" x 0.236"
<b>Total driver displacement</b>	-	-
<b>Weight of one component</b>	0.15 kg	0.331 lb
<b>Voice coil Ø</b>	25 mm	0.984"
<b>Voice coil height</b>	1.8 mm	0.071"
<b>Dome</b>	Magnesium	



Unit : mm



### FREQUENCY RESPONSE / IMPEDANCE



### THIELE-SMALL PARAMETERS

<b>Effective Ø (d)</b>	32 mm
<b>Sd</b>	8.04 cm <sup>2</sup>
<b>Xmax</b>	-
<b>Re</b>	5 Ω
<b>Fs</b>	1207 Hz
<b>Le</b>	-
<b>L2</b>	-
<b>Vas</b>	-
<b>Mms</b>	-
<b>Cms</b>	-
<b>BL</b>	-
<b>Qts</b>	-
<b>Qes</b>	-
<b>Qms</b>	-
<b>Sensitivity (dB/W/m)</b>	87.8 dB

# Signature **Multix**

Guy Bonneville  
**BLAM**  
DRIVEN BY PASSION

## WS 6

### HIGH POWER WOOFER

- Woofer 6-1/2 " (165 mm)
- Max power 250 W / Nom. power 125 W
- Frequency response 80 Hz - 6 KHz
- Impedance 2 Ohms

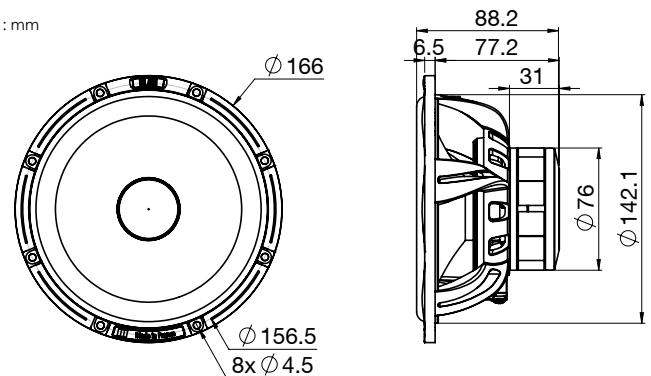
Die cast aluminium basket - Ultra rigid carbon fiber cone - NBR surround - Dual spider - 38 mm Voice Coil, fiber glass former - Oversized Neodymium Multi-Stick Magnetic motor - Machined aluminium phase plug - Gold-plated terminal - Paired products to +/- 1dB.

### TECHNICAL SPECIFICATIONS

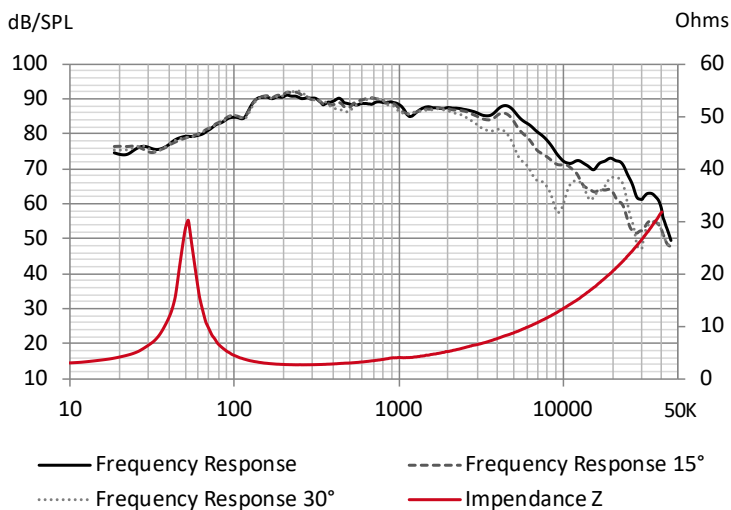
Component	Woofer	
Max power	250 W	
Nominal power	125 W	
Impedance	2 Ω	
Freq. Response	80 Hz - 6 KHz	
Sensitivity (2,83V/1m)	94 dB	
Magnet	Neodymium	
Magnet size Ø x h	10x 15 x 17 mm	10x 0.591" x 0.669"
Total driver displacement	0.3 l	0.011 cf
Weight of one component	1.81 kg	3.990 lb
Voice coil Ø	38 mm	1.496"
Voice coil height	17 mm	0.669"
Cone	Carbon fiber	



Unit : mm



### FREQUENCY RESPONSE / IMPEDANCE



### THIELE-SMALL PARAMETERS

Effective Ø (d)	128 mm
Sd	128.68 cm <sup>2</sup>
Xmax	6 mm
Re	2.1 Ω
Fs	51.84 Hz
Le	100.07 µH @ 1 kHz
Le	263.46 µH @10 kHz
Vas	12.9 L
Mms	16.99 g
Cms	0,000555 m/N
BL	5.63 Tm
Qts	0.37
Qes	0.40
Qms	4.75
Sensitivity (dB/W/m)	88.1 dB

contact@blam-audio.fr  
www.facebook.com/blamaudio

blam-audio.com