



MACROM

M2SW.1244

SUBWOOFER 12" DOUBLE VOICE COIL



12" SUBWOOFER DOUBLE VOICE COIL

Cone PPY (polypropylene)

2" Double aluminum coil

Barium-Ferrite Magnet by 53.4 Oz

Rubber Suspension

Extended and Vented Pole

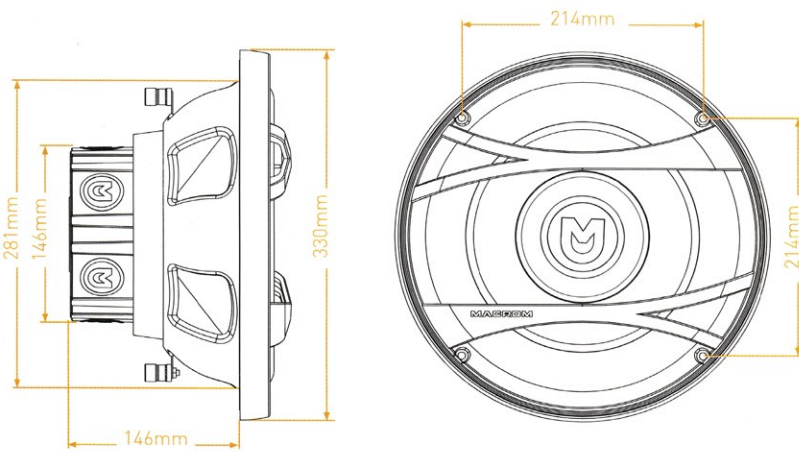
Grille included

Push Terminals

Designed for box of reduced dimensions

300 Watts RMS Power

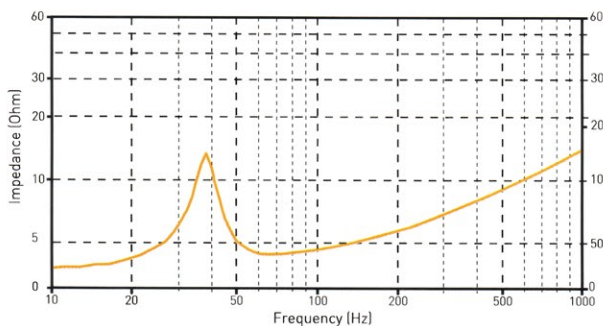
800 Watts peak power



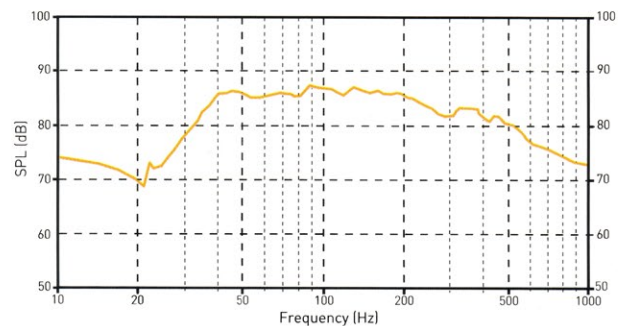
Theile-Small parameters

Fs:	47	Hz
Re:	3.6	Ohms
Le:	0.44	mH
Vas:	45	Liters
Mms:	92	g
Cms:	124	$\mu\text{m}/\text{N}$
X-max:	16	mm
BL:	6.58	Tm
Qts:	1.33	
Qes:	1.78	
Qms:	5.31	
SPL:	90	dB

Impedance



Frequency response



Due to continuing improvement, the features and specification are subject to change without notice