

# HG-38SG (-NG)

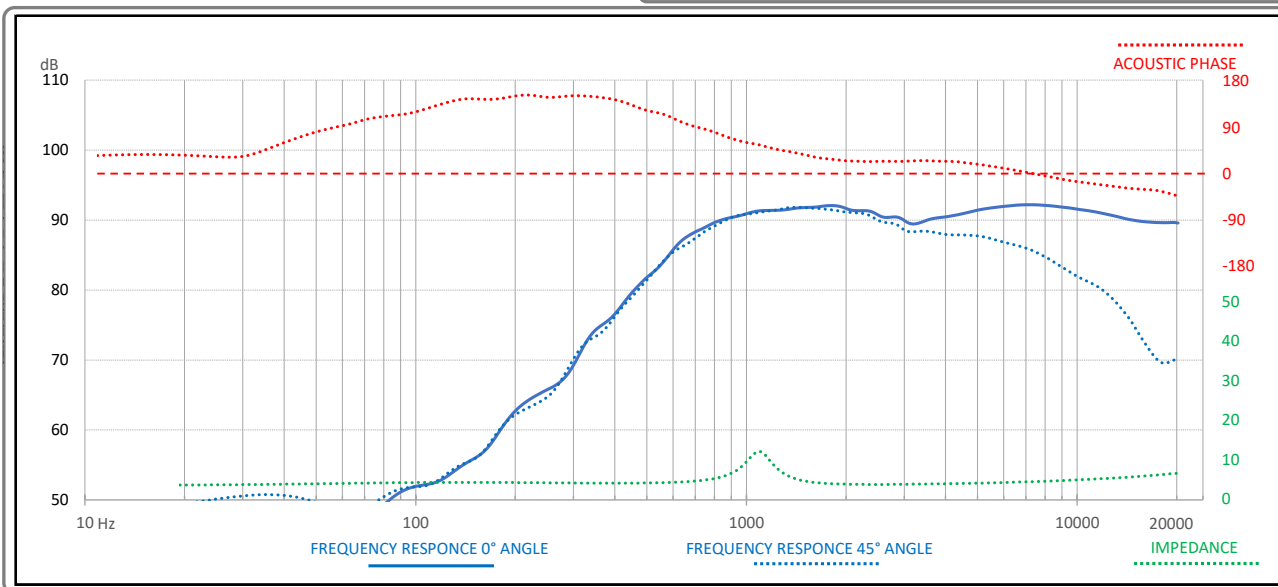
**GLADEN**  
GERMAN TECHNOLOGY

speaker data sheet

## Specifications

### Tweeter

Impedance	4,0	$\Omega$
Power handling	60/30	Watt/Wrms
Minimum amplifier power	5	Wrms
Recommended frequency area	2000 -	Hz
SPL (2,83V/1m)	95,0	dB

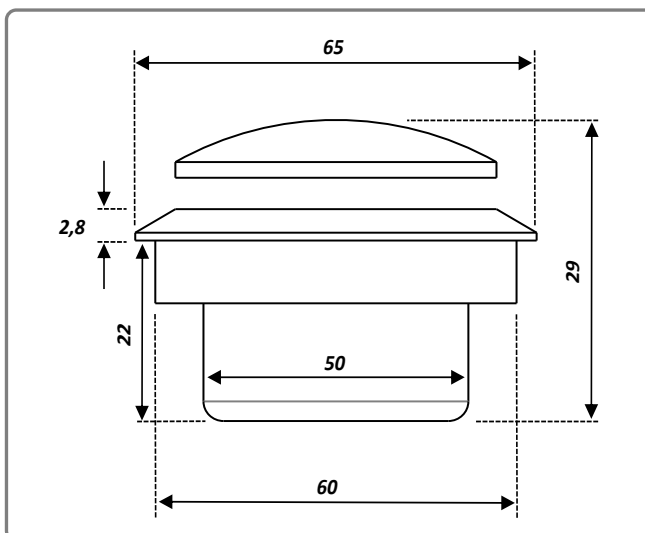


## Parameters

DC resistance	Rdc	3,4	$\Omega$
Resonance frequency	fs	1093	Hz

Sensitivity (1W/1m)	SPL	91,3	dB
Voice coil diameter	VCD	38	mm
Weight net		0,222	kg

## Dimensions



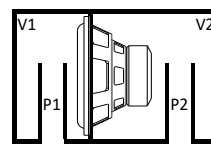
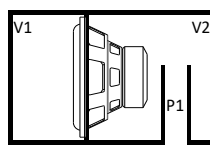
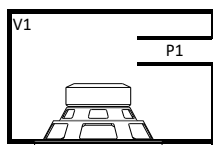
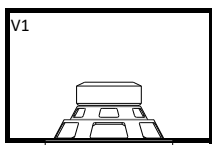
## Housing suggestions

sealed

vented

bandpass (4th)

bandpass (6th)



Volume (V) in liters, dimensions port (P) in mm (diameter (D) and length (L))

All data without guarantee. Data can vary. Check data before assembly and operation.

GLADEN EUROPE GmbH - Bertha-Benz-Strasse 9 - 72141 Walddorfhäslach - CEO Alexandra Gladen - info@gladen.com