

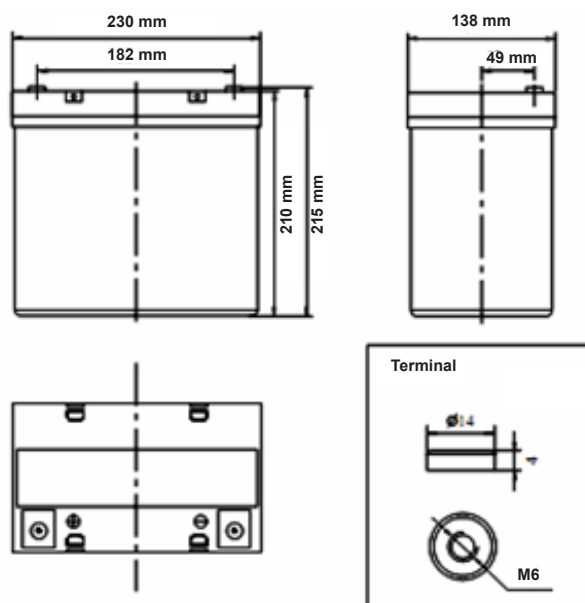
BATTERIA SIGILLATA AGM DEEP-CYCLE (USO CICLICO)  
DEEP-CYCLE AGM MAINTENANCE FREE BATTERY

# ZL120155



CHARACTERISTIC / CARATTERISTICHE		
Volt	12V	
Capacity / Capacità	20h	55Ah
	10h	51Ah
	8h	49Ah
	5h	47Ah
	3h	41Ah
	2h	38Ah
Internal Resistance	Full Charged Battery 25°C ≤10mΩ	
Capacity affected by Temperature / Effetti delle temperature sulla capacità	40°C	102%
	25°C	100%
	0°C	70%
Self-Discharge 25°C Capacity / Autoscarica a 25°C	after 3 month storage	90%
	after 6 month storage	80%
	after 12 month storage	62%
Charge cycle / Ciclo di carica	IU + h	"In" max. 10Amp; "V1" 2.43V/cell
	IUIa	"In" max. 10Amp; "V1" 14.4Volt; "If" 0.5Amp.

CHARACTERISTIC / CARATTERISTICHE			
Battery dimensions / Dimensioni batteria			
L/L	W/P	H/A	Tot - H/A
230	138	210	215
Box Dimensions / Dimensioni scatola			
L/L	W/P	H/A	
244	152	254	
Weight / Peso		18,3 Kg	
Terminal / Terminali		M6	
Case / Contenitore		ABS	
Pallet Qt		60	



This information is generally descriptive only and is not intended to make or imply any representation, guarantee or warranty with respect to any cells and batteries. Cell and battery designs/specifications are subject to modification without notice. Contact U.B.S. UNION BATTERY SERVICE for the latest information.

Le informazioni contenute in questa scheda tecnica sono solo descrittive e indicative, non sono una garanzia. U.B.S. UNION BATTERY SERVICE si riserva il diritto di aggiornarle/modificarle senza preavviso.

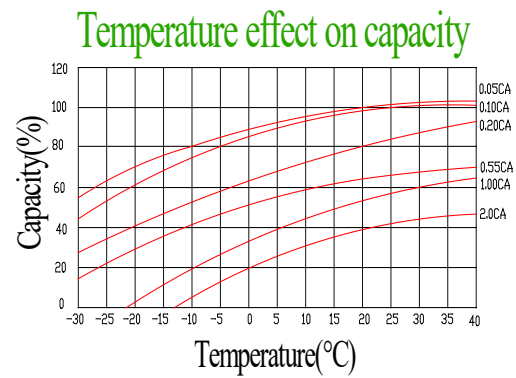
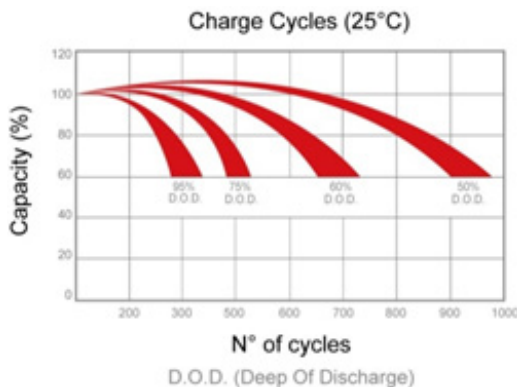


[www.unionbatteryservice.it](http://www.unionbatteryservice.it)

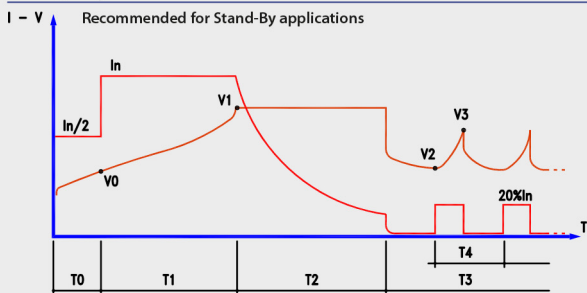
BATTERIA SIGILLATA AGM DEEP-CYCLE (USO CICLICO)  
DEEP-CYCLE AGM MAINTENANCE FREE BATTERY

# ZL120155

# Zenith



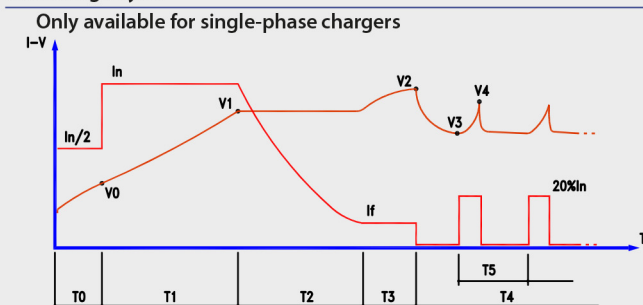
### Charge cycle for sealed batteries (GEL/AGM): IU + holding



- $I_n$  = PROGRAMMED CAPACITY/10
- $V_0$  = 1,90 V/CELL
- $V_1$  = PROGRAMMED VALUE
- $V_2$  = 2.10 V/CELL
- $V_3$  = 2.30 V/CELL
- $T_0$  = MAX. 1 HR
- $T_1$  = MAX. 12 HRS
- $T_2$  =  $T_1$  (MIN. 2-MAX. 5 HRS)
- $T_3$  = UNLIMITED

“IU1a” charge cycle is always recommended in case of more than 2 batteries in series  
Ciclo di carica “IU1a” è sempre necessario qualora ci siano più di 2 batterie collegate in serie.

### IU1a charge cycle



- $I_n$  = PROGRAMMED VALUE (CHARGE I)
- $I_f$  = PROGRAMMED VALUE (FINAL I)
- $V_0$  = 1,90 V/CELL
- $V_1$  = PROGRAMMED VALUE (THRESHOLD V)
- $V_2$  = PROGRAMMED VALUE (LOCK V)
- $V_3$  = 2.10 V/CELL
- $V_4$  = 2.30 V/CELL
- $T_0$  = MAX. 1 HR
- $T_1$  = MAX. 12 HRS
- $T_2$  = MAX.  $T_1+6$  HRS OR  $I = I_f$
- $T_3$  = MAX. 4 HRS
- $T_4$  = UNLIMITED
- $T_5$  = MAX. 6 HRS

This information is generally descriptive only and is not intended to make or imply any representation, guarantee or warranty with respect to any cells and batteries. Cell and battery designs/specifications are subject to modification without notice. Contact U.B.S. UNION BATTERY SERVICE for the latest information.

Le informazioni contenute in questa scheda tecnica sono solo descrittive e indicative, non sono una garanzia. U.B.S. UNION BATTERY SERVICE si riserva il diritto di aggiornarle/modificarle senza preavviso.

